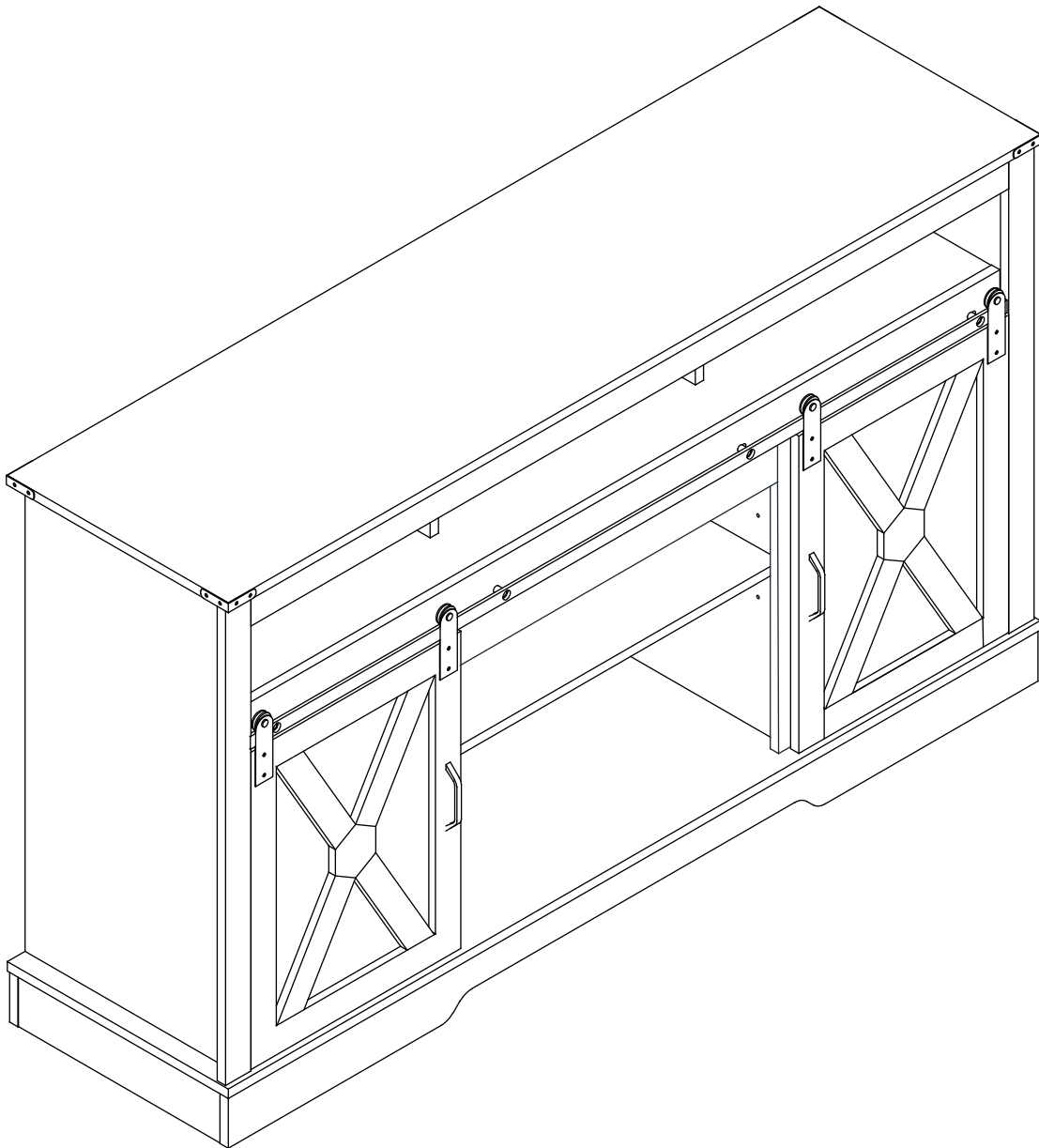


---

# FansaFurn

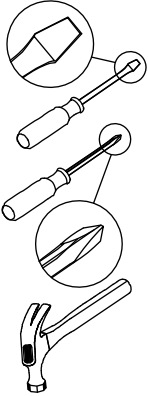
SKU: ZTS010GY-11/ZTS010LG-11  
ZTS010WT-11



THIS INSTRUCTION BOOKLET CONTAINS IMPORTANT SAFETY INFORMATION.  
PLEASE READ AND KEEP FOR FUTURE REFERENCE.

If you have any questions, please contact the after-sales e-mail:  
**[service@heynemo.com](mailto:service@heynemo.com)**

# Before You Start



- ✓ Read through each step carefully and follow the proper order
- ✓ Separate and count all your parts and hardware
- ✓ Give yourself enough room for the assembly process
- ✓ Have the following tools: Flat Head Screwdriver, #2 Phillips Head Screwdriver and Hammer
- ✓ Caution: If using a power drill or power screwdriver for screwing, Please slow down or stop when the screw is tightened. Otherwise it may cause the screws to peel off.

# Helpful Hints

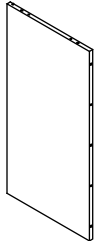
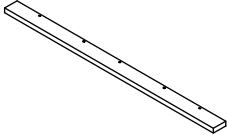
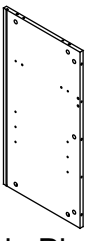
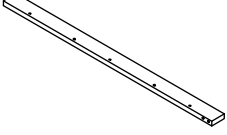
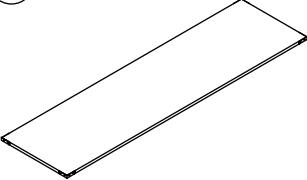
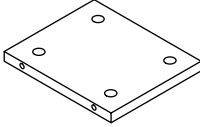
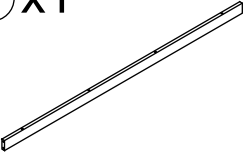
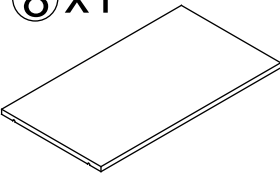
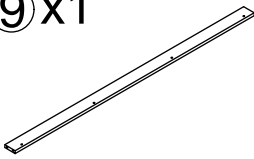
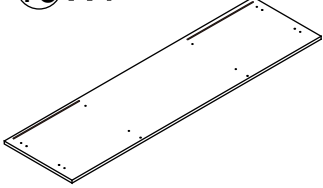
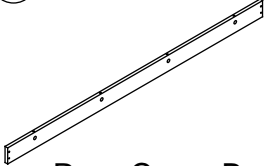
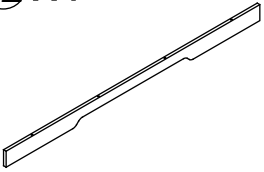
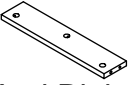
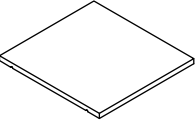
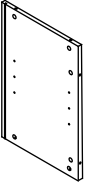
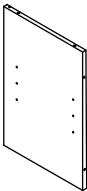
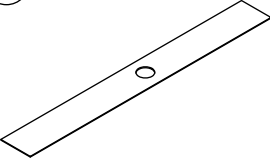
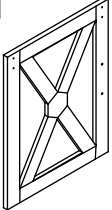
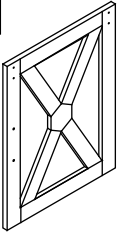
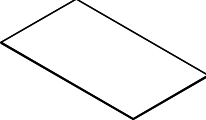
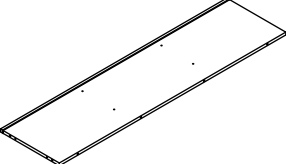


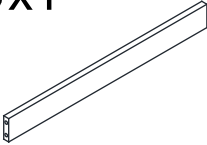
PEOPLE NEEDED FOR ASSEMBLY: 1-2

- Open your item in the area you plan to keep it to avoid excessive heavy lifting.
- Identify, sort and count the parts before attempting to assembly.
- Compression dowels are lightly tapped in with a hammer.
- Slides are labeled with an **R** (right) and **L** (left) for proper placement.
- Make sure to always face the point on the top of the Cam Lock towards the outer edge.
- Use all the nails provided for the back panel and spread them out equally.
- Back panel must be used to make sure your unit is sturdy.
- Do NOT use harsh chemicals or abrasive cleaners on this item.
- Never push, pull, or drag your furniture.



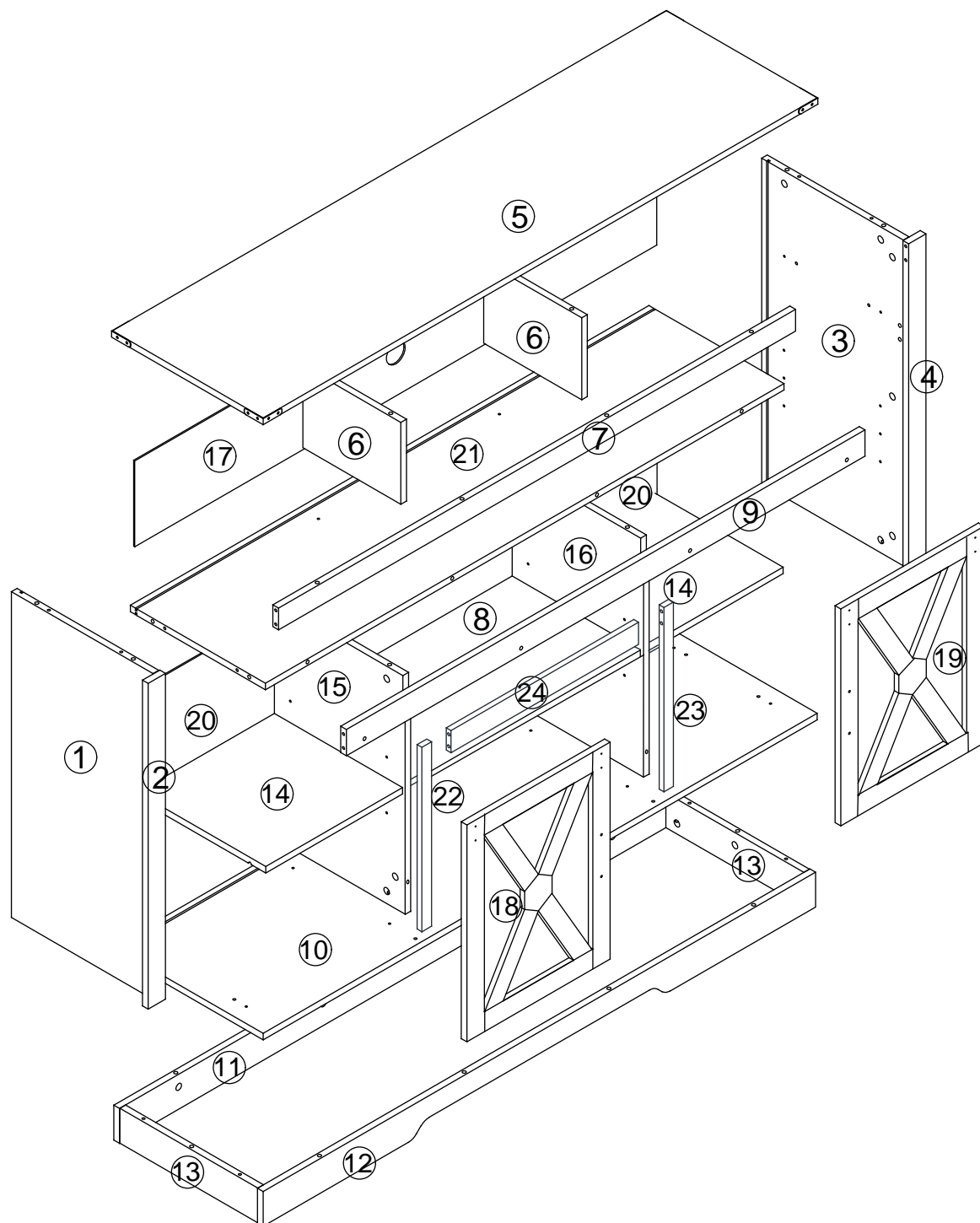
# Board Identification

Not actual size

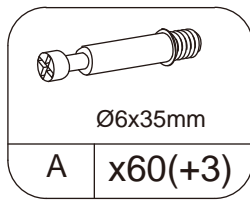
<p>① x1</p>  <p>Left Side Plate</p>	<p>② x1</p>  <p>Front Vertical Bar Of Left Side Panel</p>	<p>③ x1</p>  <p>Right Side Plate</p>	<p>④ x1</p>  <p>Front Stile Of Right Side Plate</p>
<p>⑤ x1</p>  <p>Roof Plate</p>	<p>⑥ x2</p>  <p>Upper Support Plate</p>	<p>⑦ x1</p>  <p>Front Cross Bar Under Panel</p>	<p>⑧ x1</p>  <p>In The Middle Active Lamination</p>
<p>⑨ x1</p>  <p>Fixed Slide Plate</p>	<p>⑩ x1</p>  <p>Bottom Plate</p>	<p>⑪ x1</p>  <p>Rear Cross Bar Under Base Plate</p>	<p>⑫ x1</p>  <p>Front Cross Bar Under Base Plate</p>
<p>⑬ x2</p>  <p>Left And Right Vertical Bars Under Bottom Plate</p>	<p>⑭ x2</p>  <p>Left And Right Active Laminates</p>	<p>⑮ x1</p>  <p>Neutral Grille On The Left</p>	<p>⑯ x1</p>  <p>Neutral Grille On The Right</p>
<p>⑰ x1</p>  <p>Upper Cabinet Back Panel</p>	<p>⑱ x1</p>  <p>Left Door Frame</p>	<p>⑲ x1</p>  <p>Right Door Frame</p>	<p>⑳ x2</p>  <p>Left And Right Back Plates</p>
<p>㉑ x1</p>  <p>Upper Fixing Plate</p>	<p>㉒ x1</p>  <p>Left Front Vertical Plate</p>	<p>㉓ x1</p>  <p>Right Front Vertical Plate</p>	<p>㉔ x1</p>  <p>Upper Front Transverse Plate</p>

# Board Identification

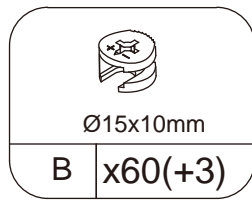
Not actual size



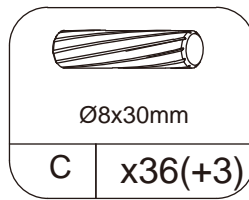
# Part List



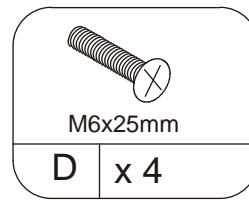
Cam Bolt



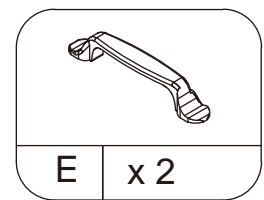
Cam Lock



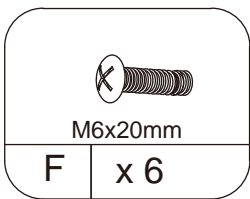
Dowel



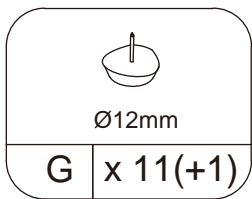
Hexagon Socket Bolt



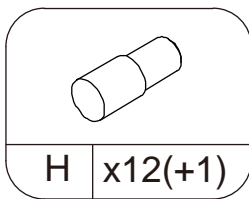
Hold Hands



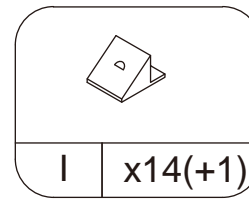
Handle Bolt



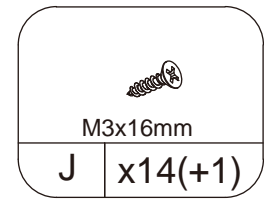
Foot Nail



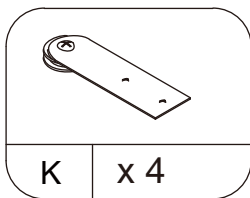
Removable  
Plate Holder



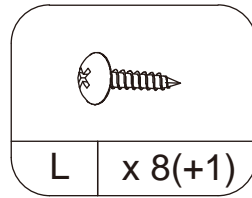
Back Buckle



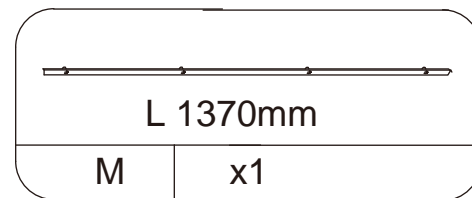
Back Buckle Screw



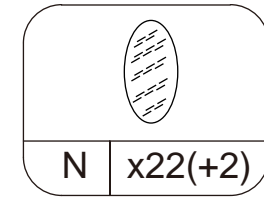
Door Pulley



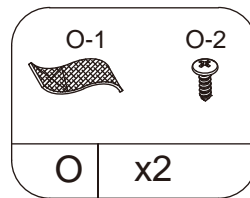
Large Flat  
Head Screw



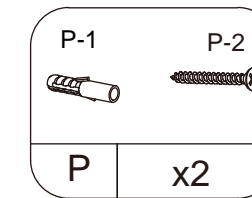
The Iron Bars Of a Door Pulley



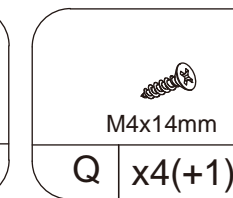
Sticker



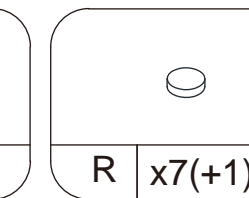
Anti-Fall  
Strip Large Flat  
Head Screw



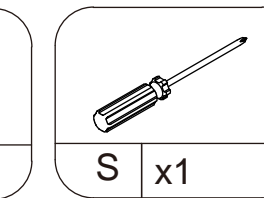
Plastic  
Expansion  
Screw Self-Tapping  
Screw



Screw



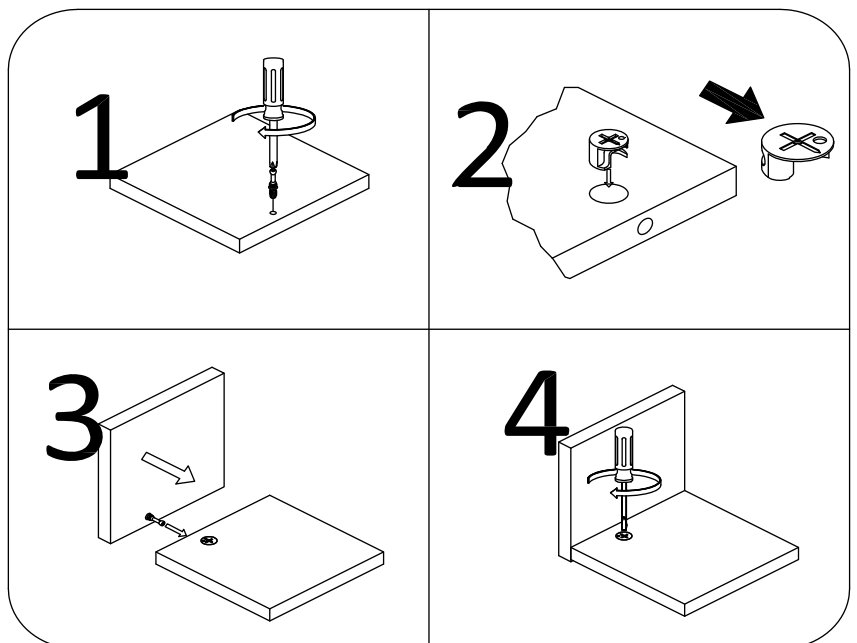
Rubber Granules



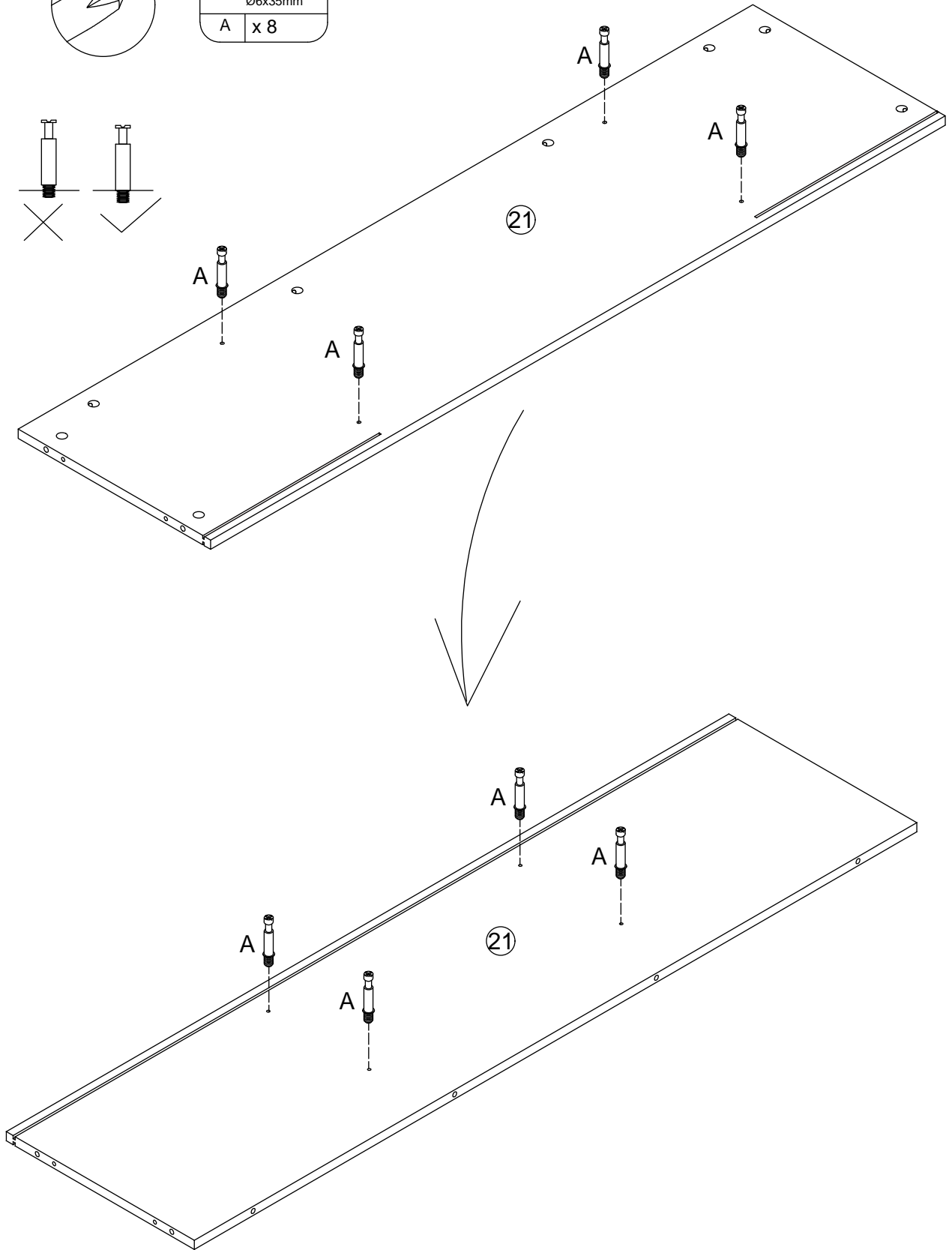
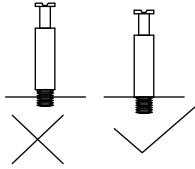
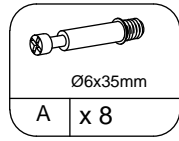
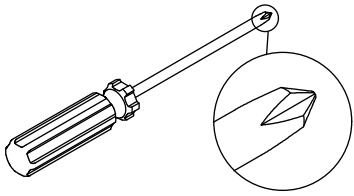
Screwdriver

## Cam Lock Fastening System

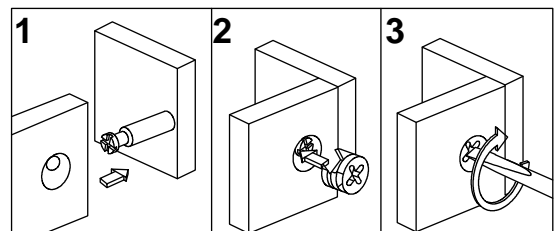
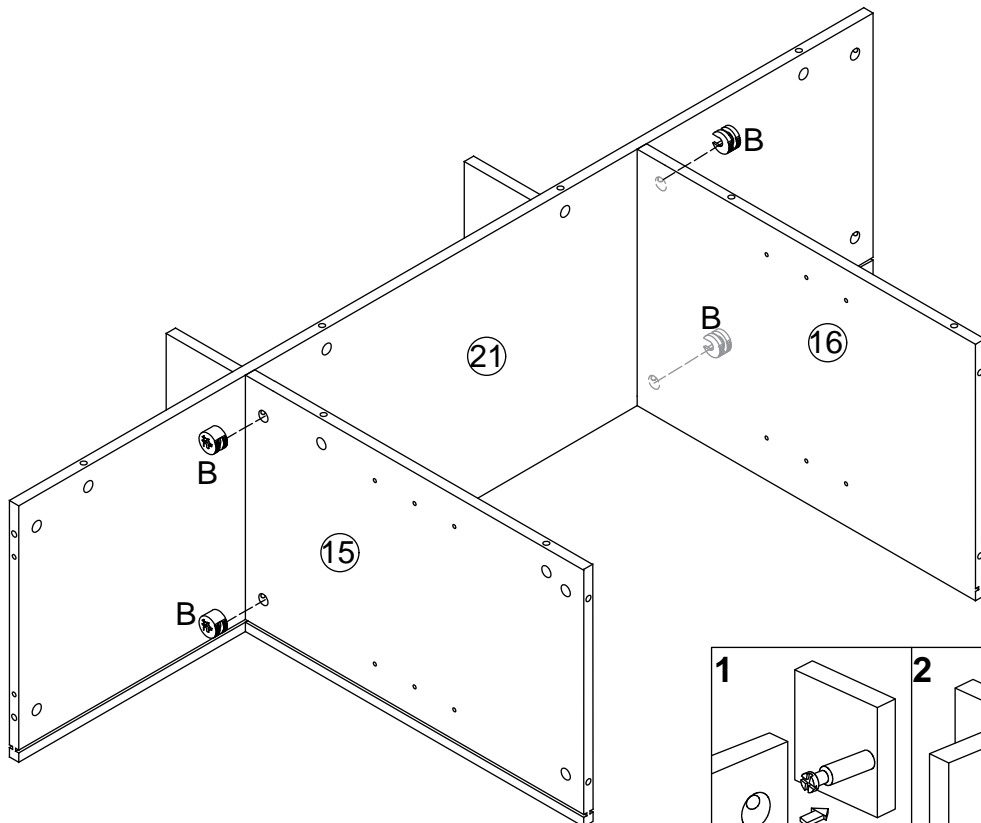
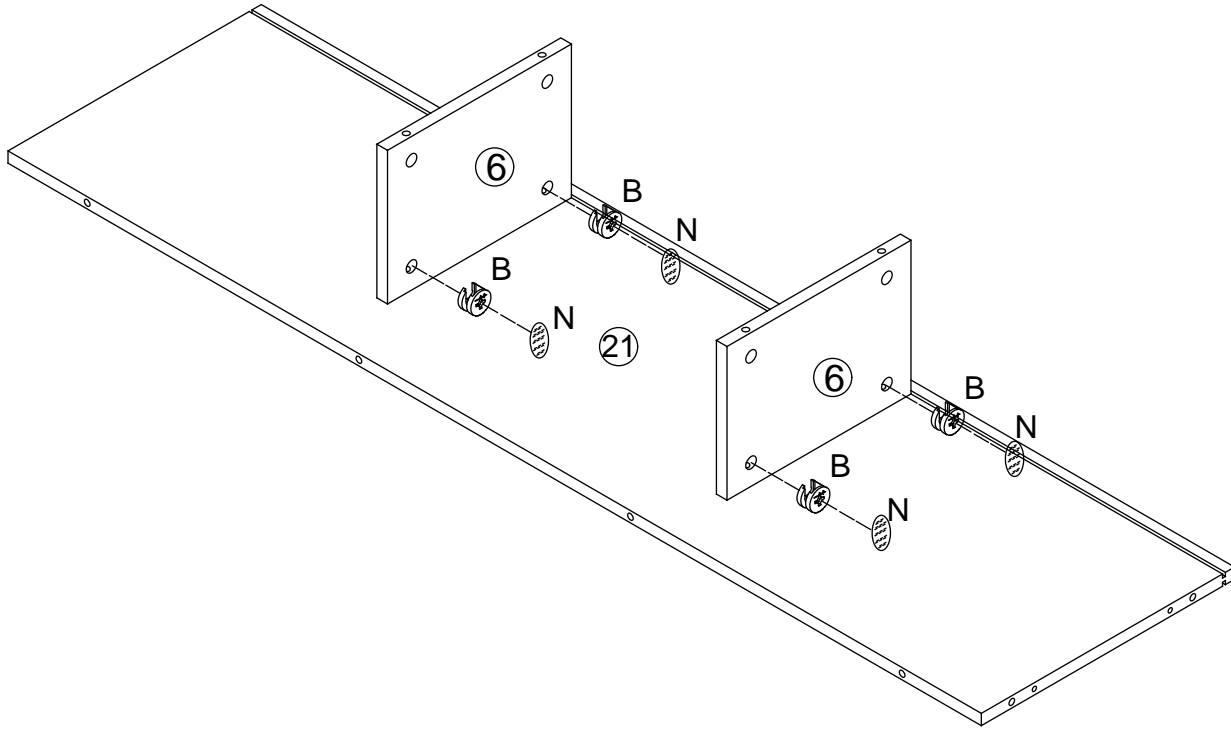
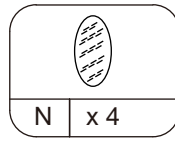
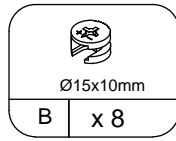
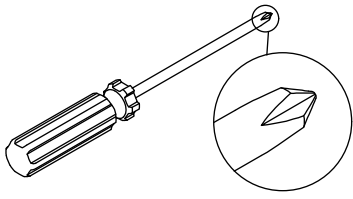
This Cam Lock Fastening System will be used throughout the assembly process.



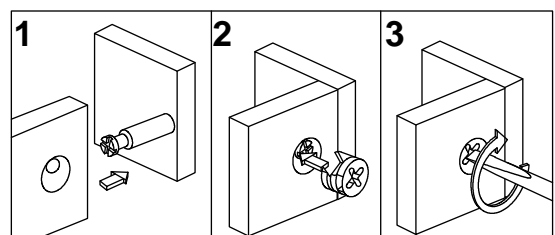
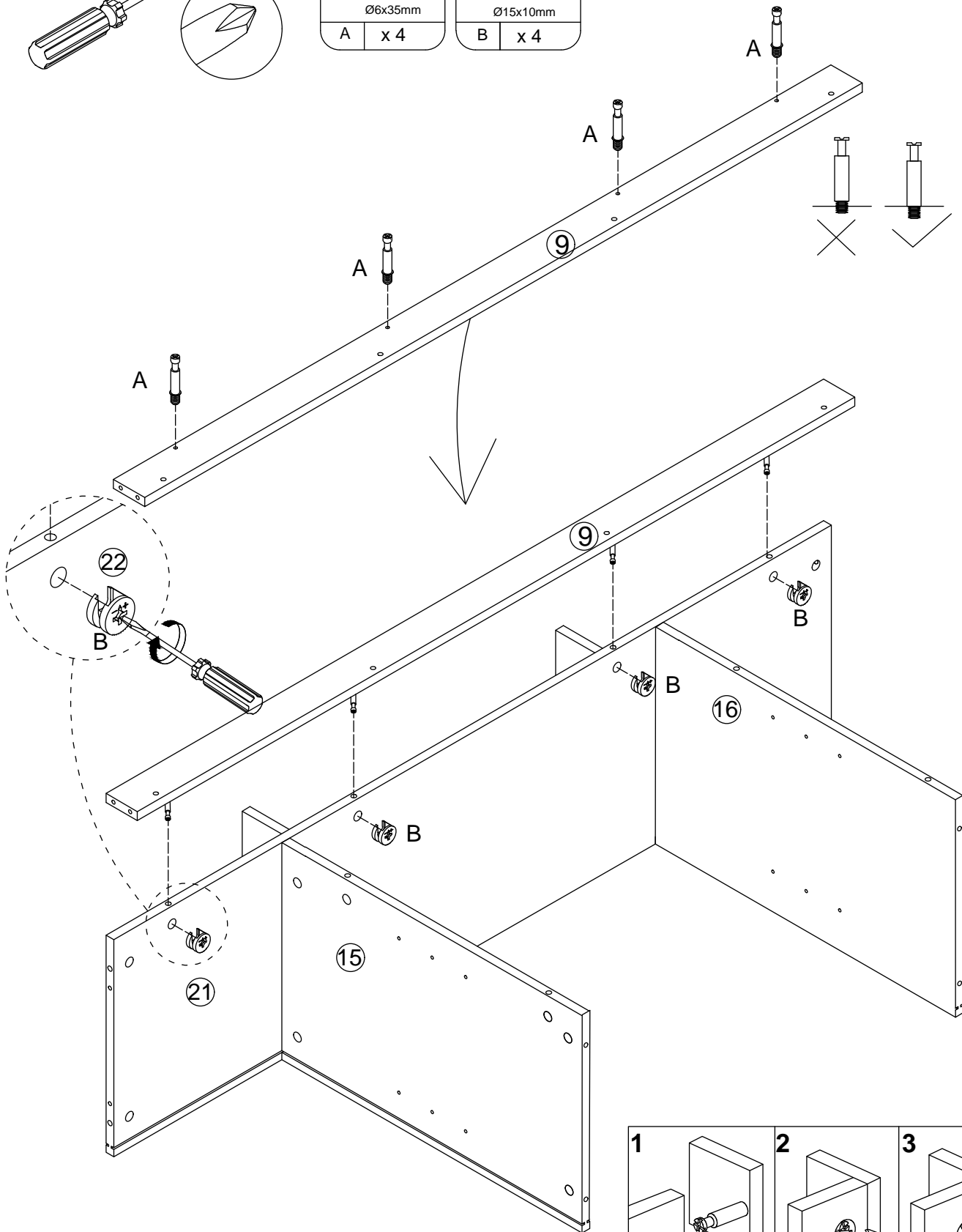
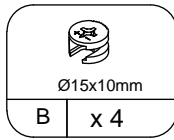
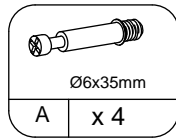
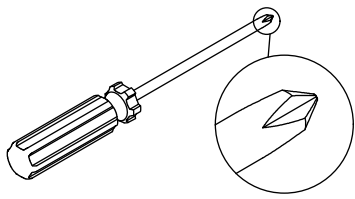
# STEP 1



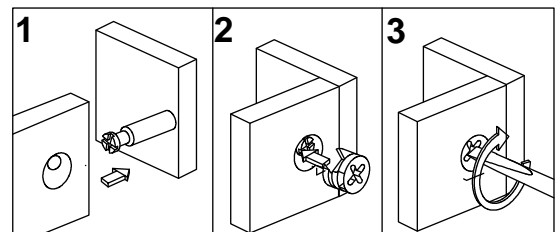
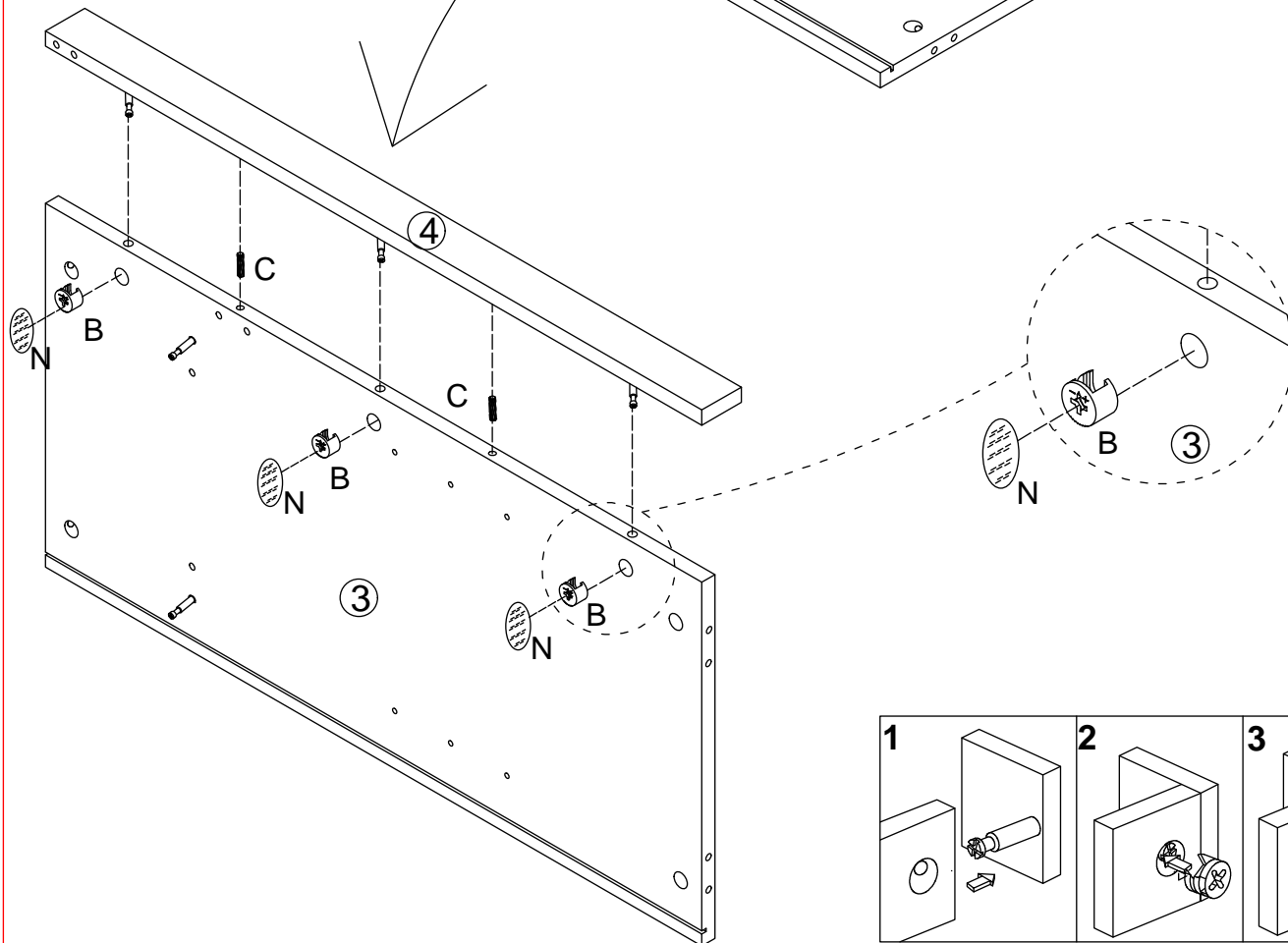
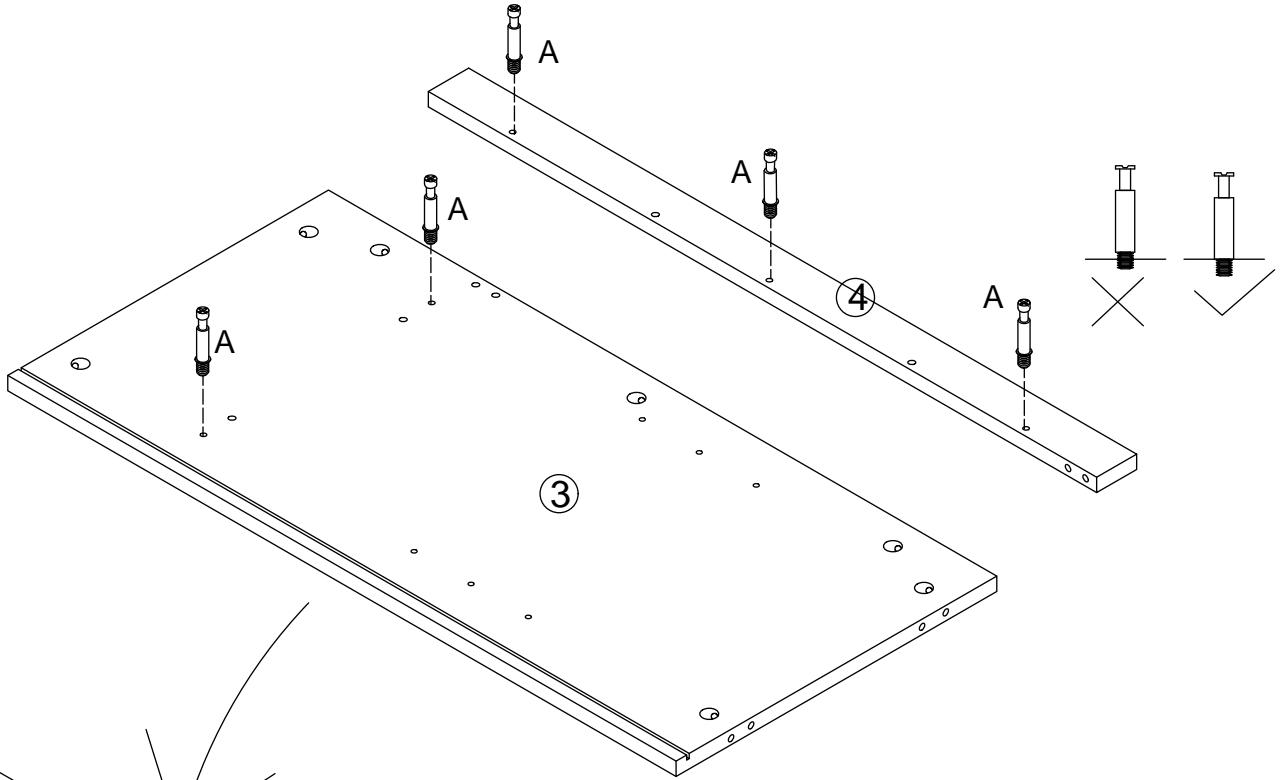
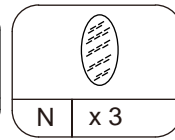
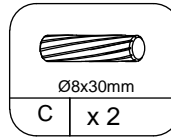
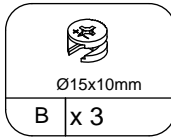
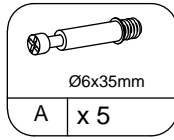
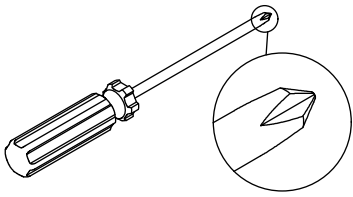
# STEP 2



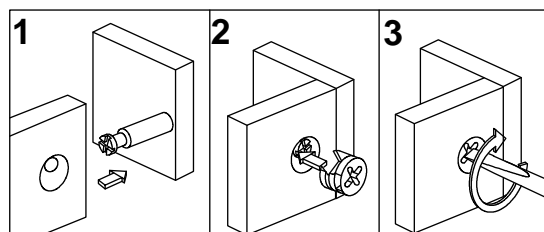
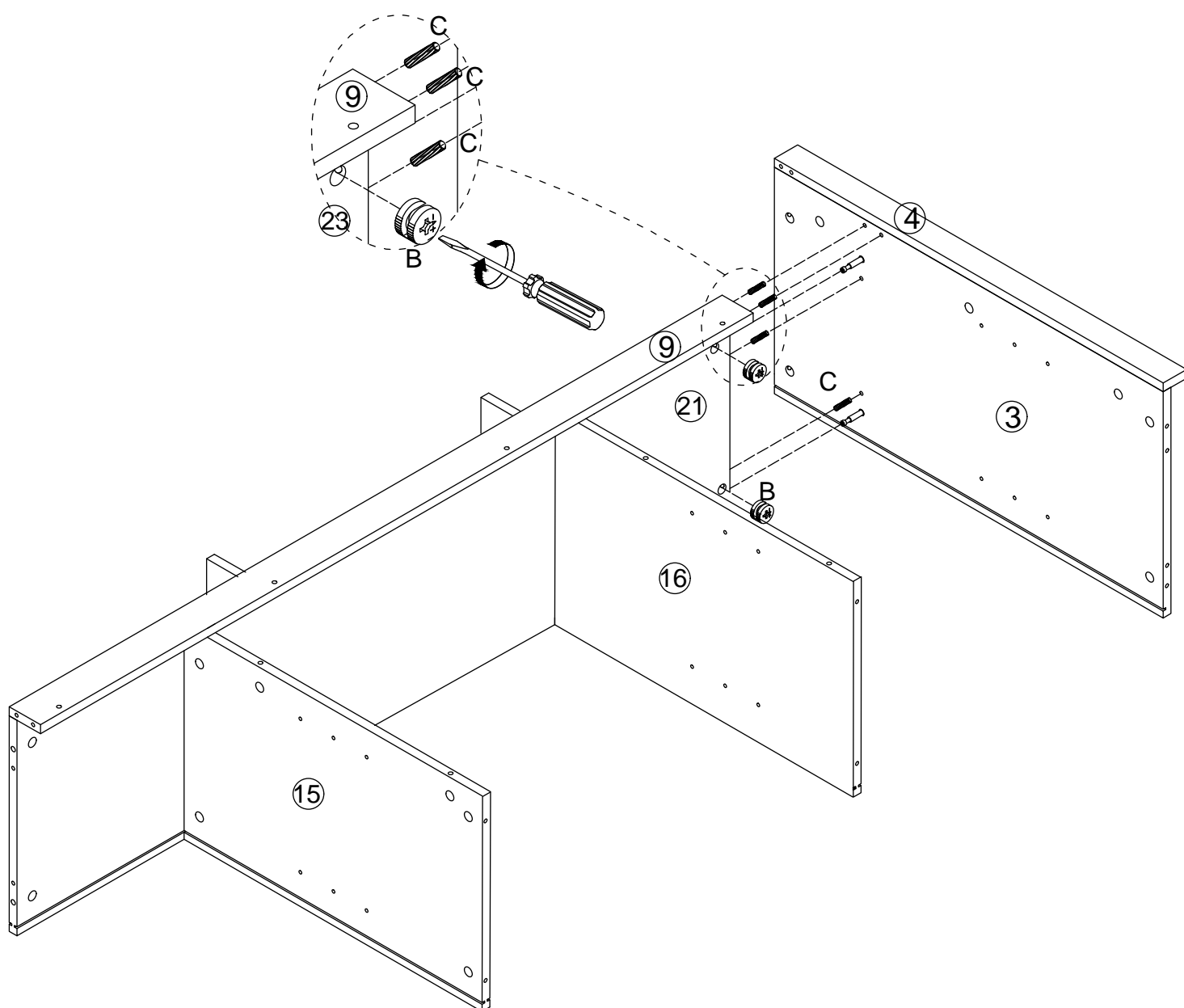
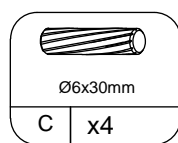
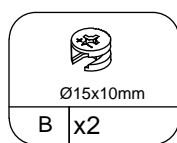
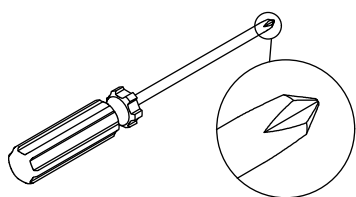
# STEP 3



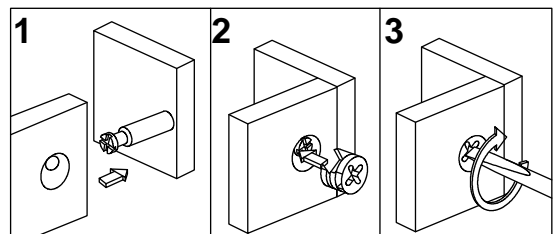
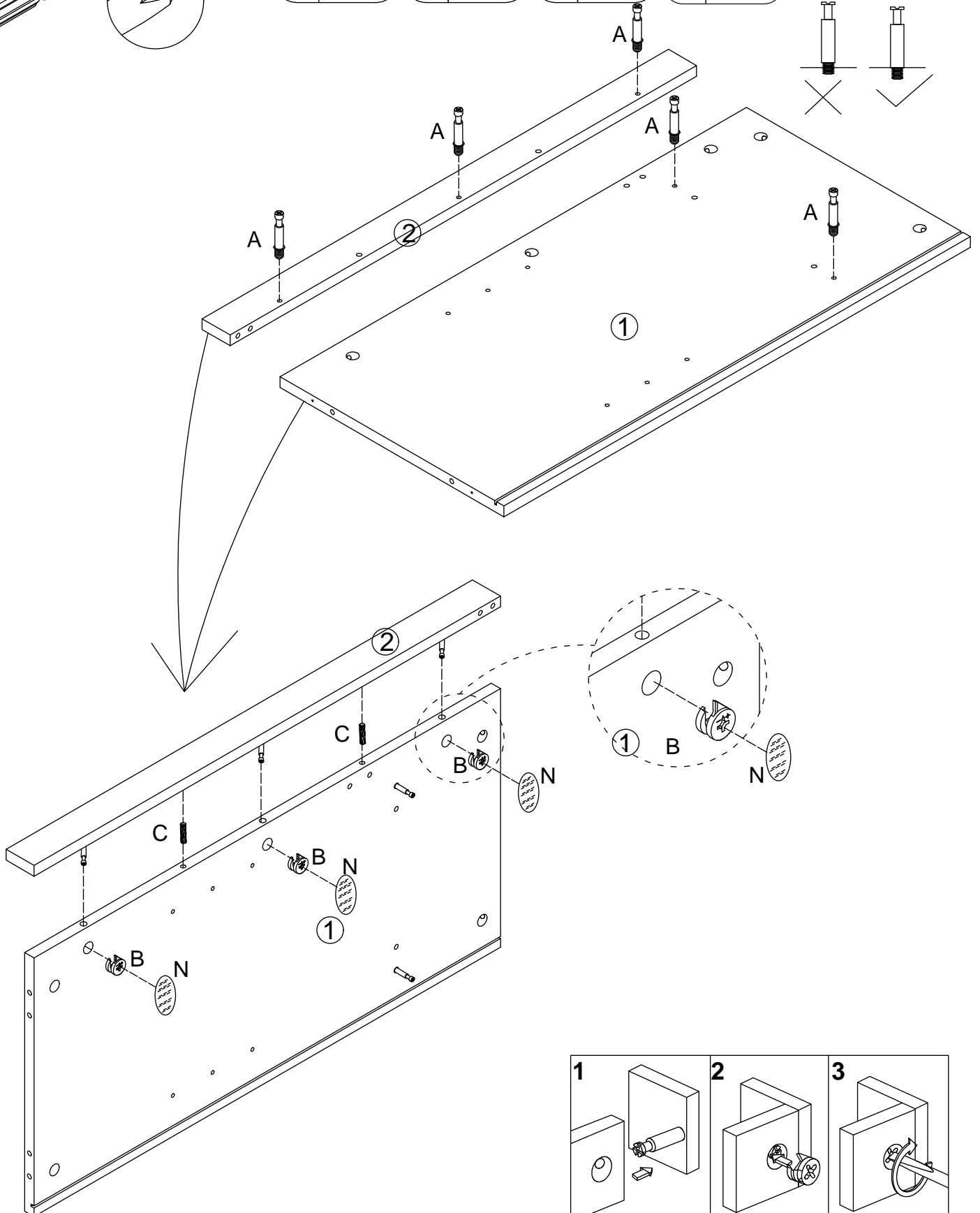
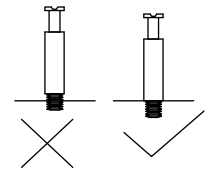
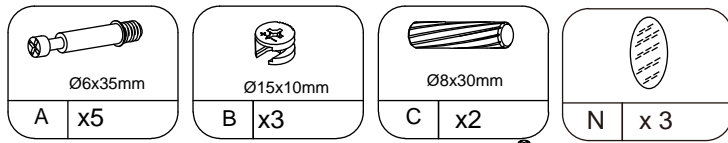
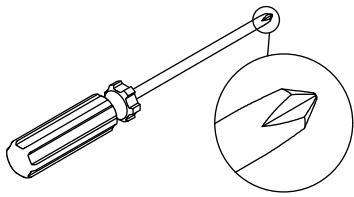
# STEP 4



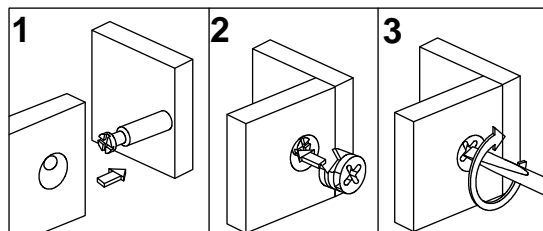
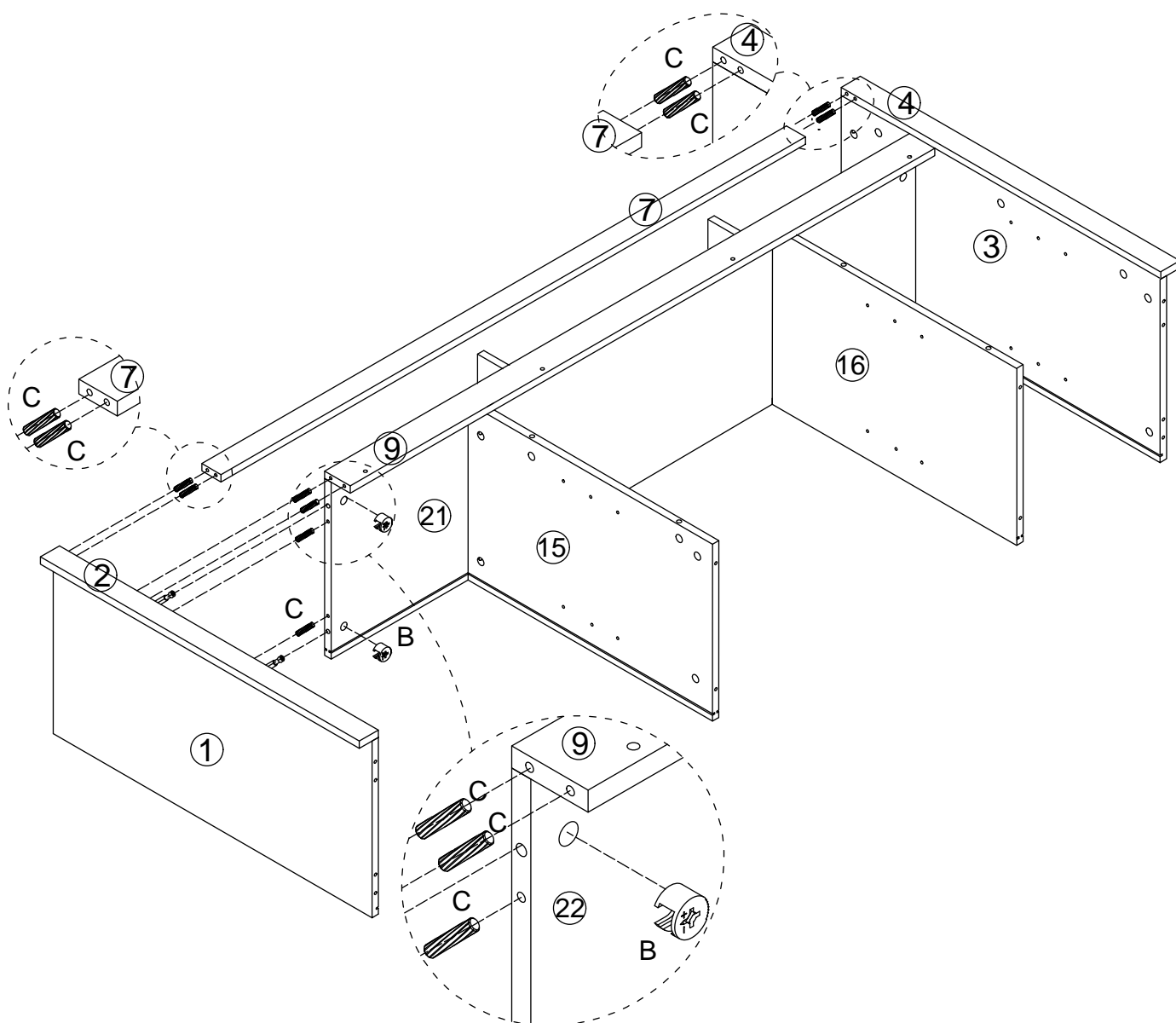
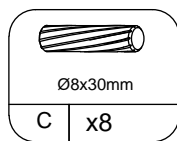
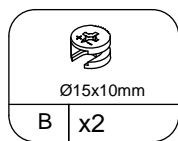
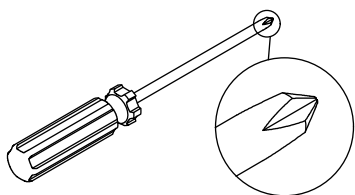
# STEP 5



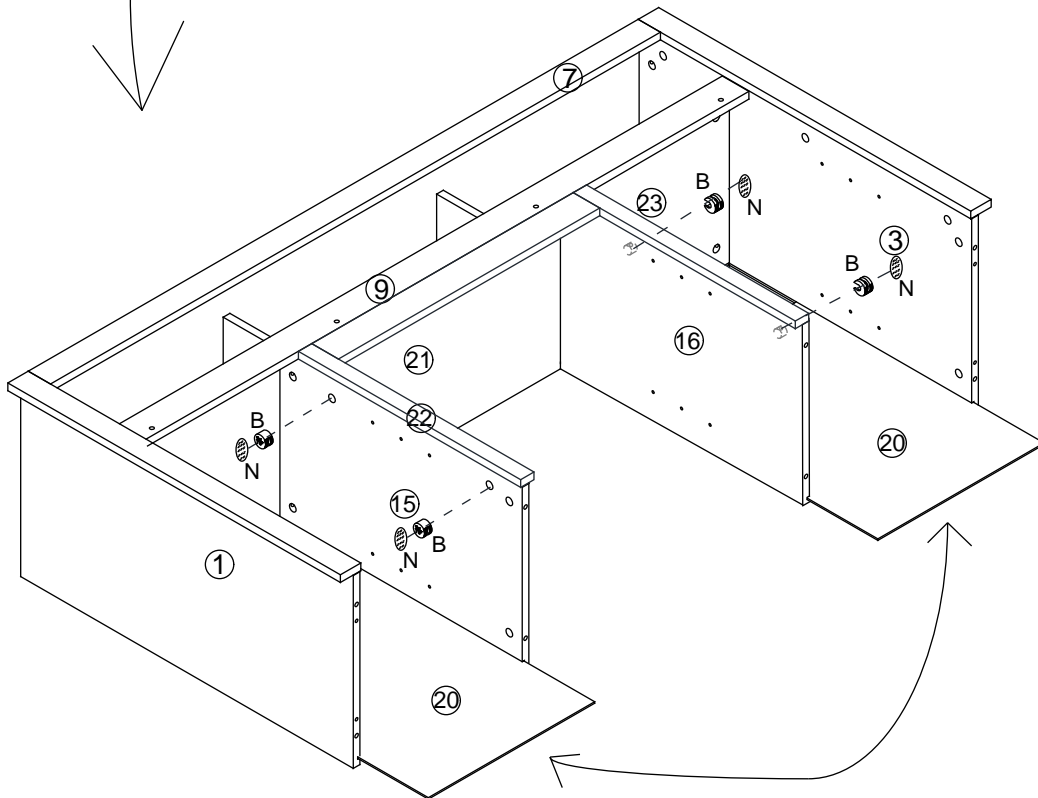
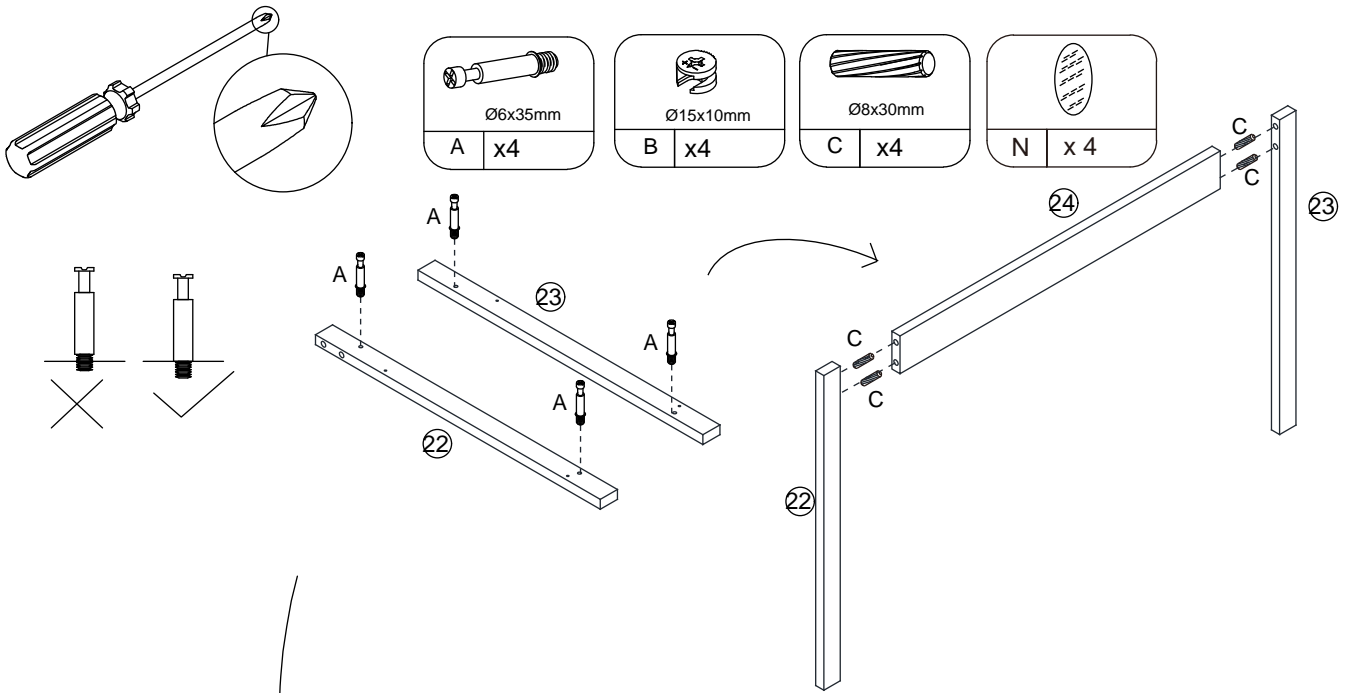
# STEP 6



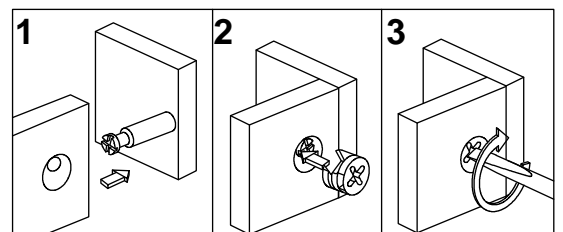
# STEP 7



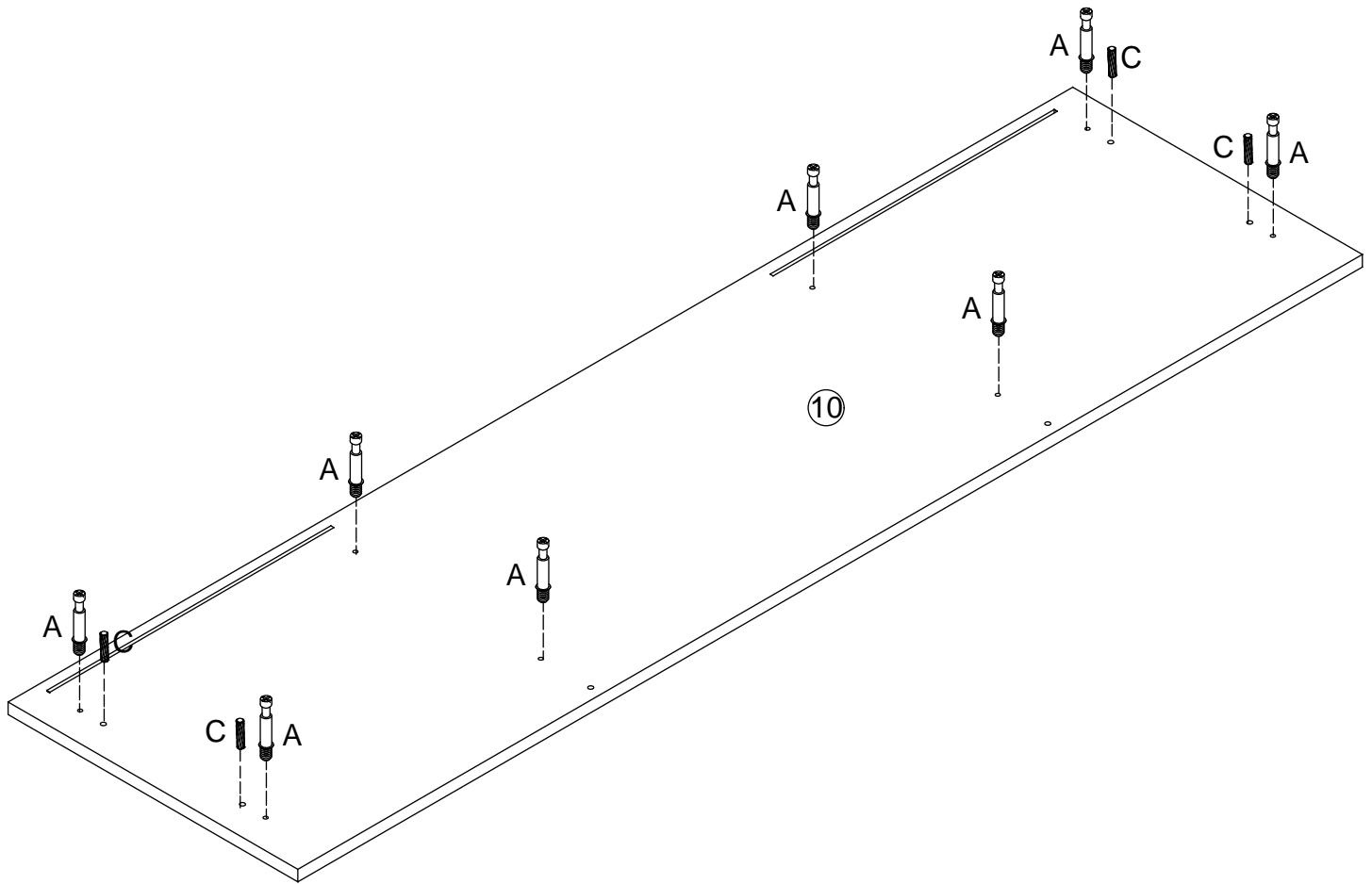
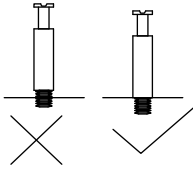
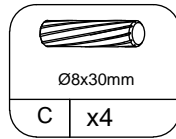
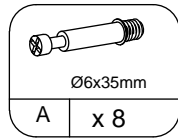
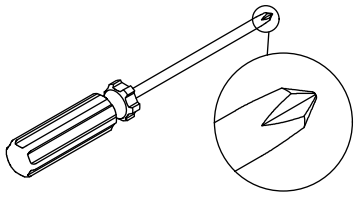
# STEP 8



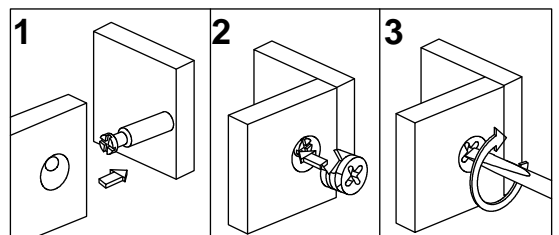
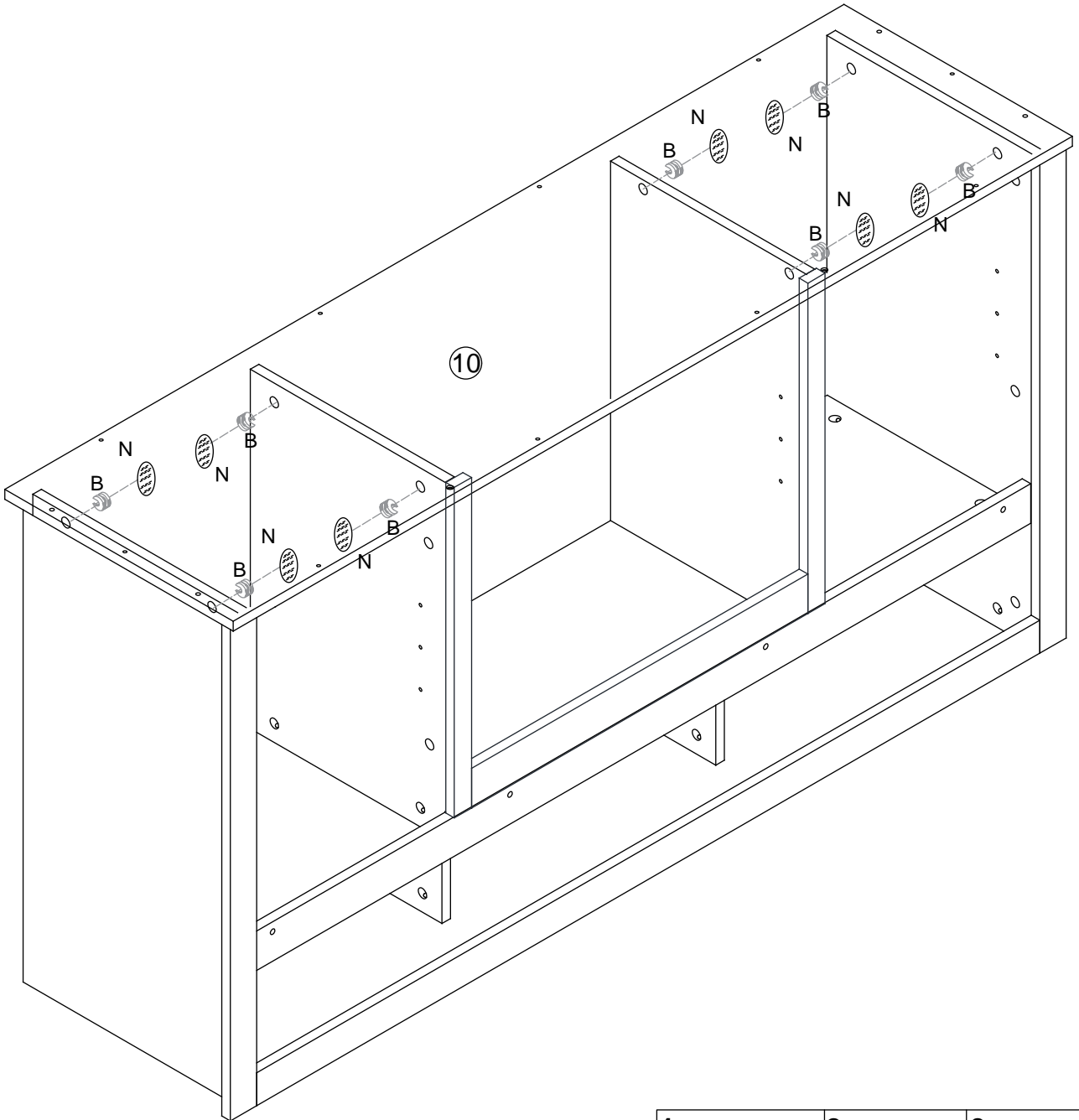
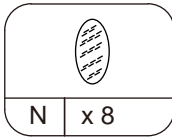
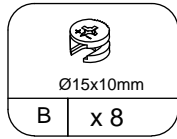
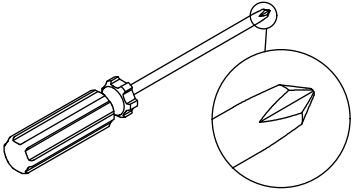
The outer plate of No.20 is raw material ,  
There is no sticker



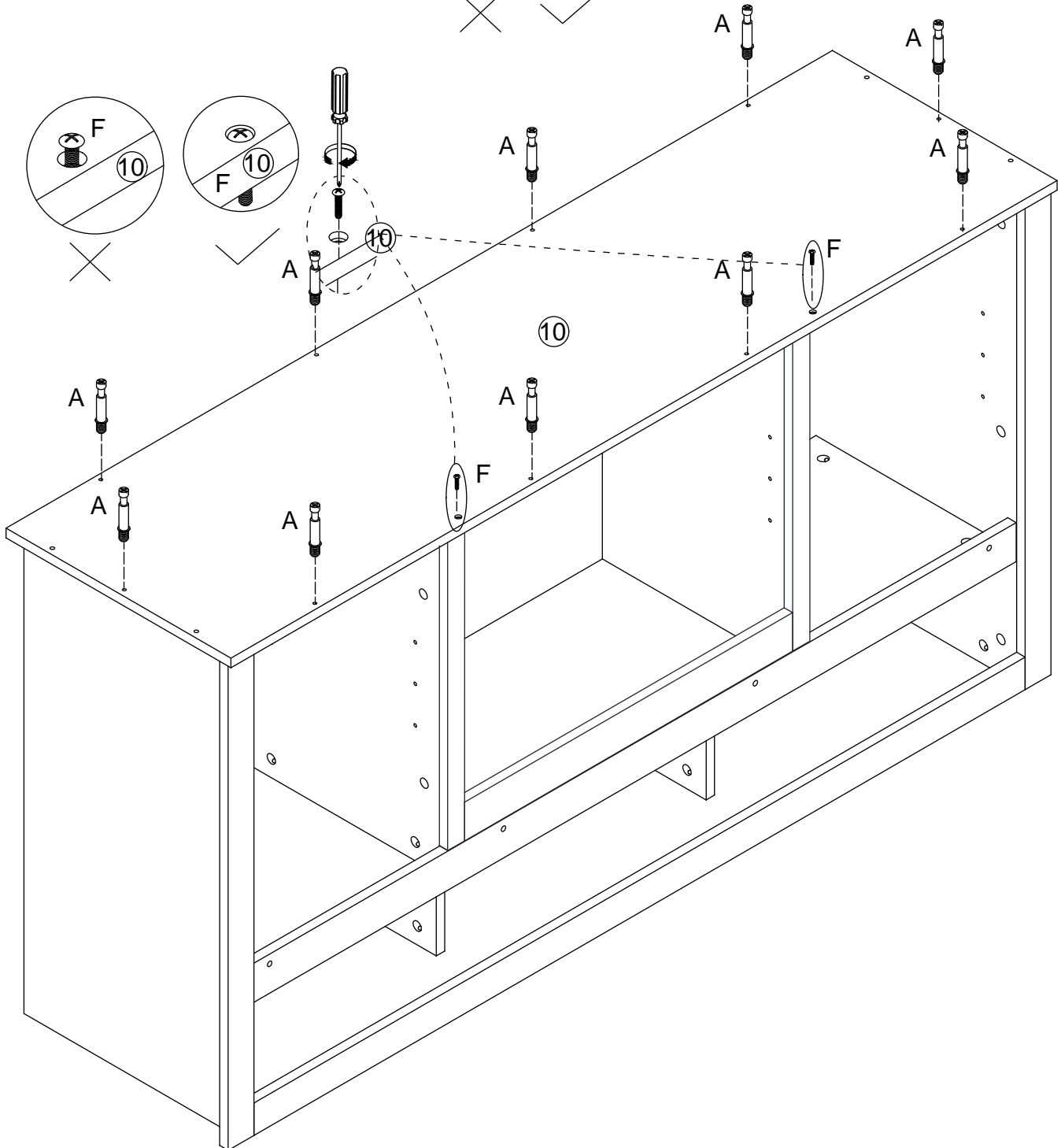
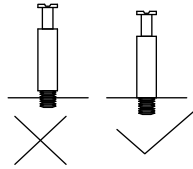
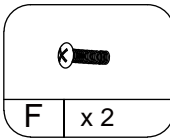
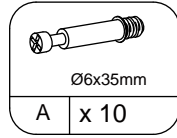
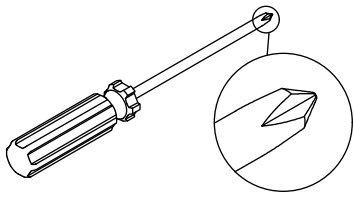
# STEP 9



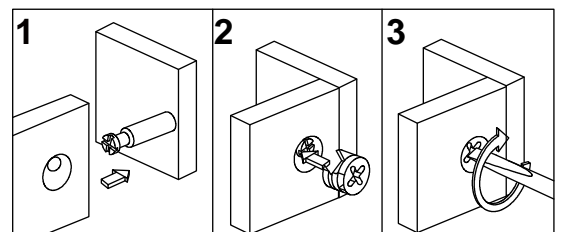
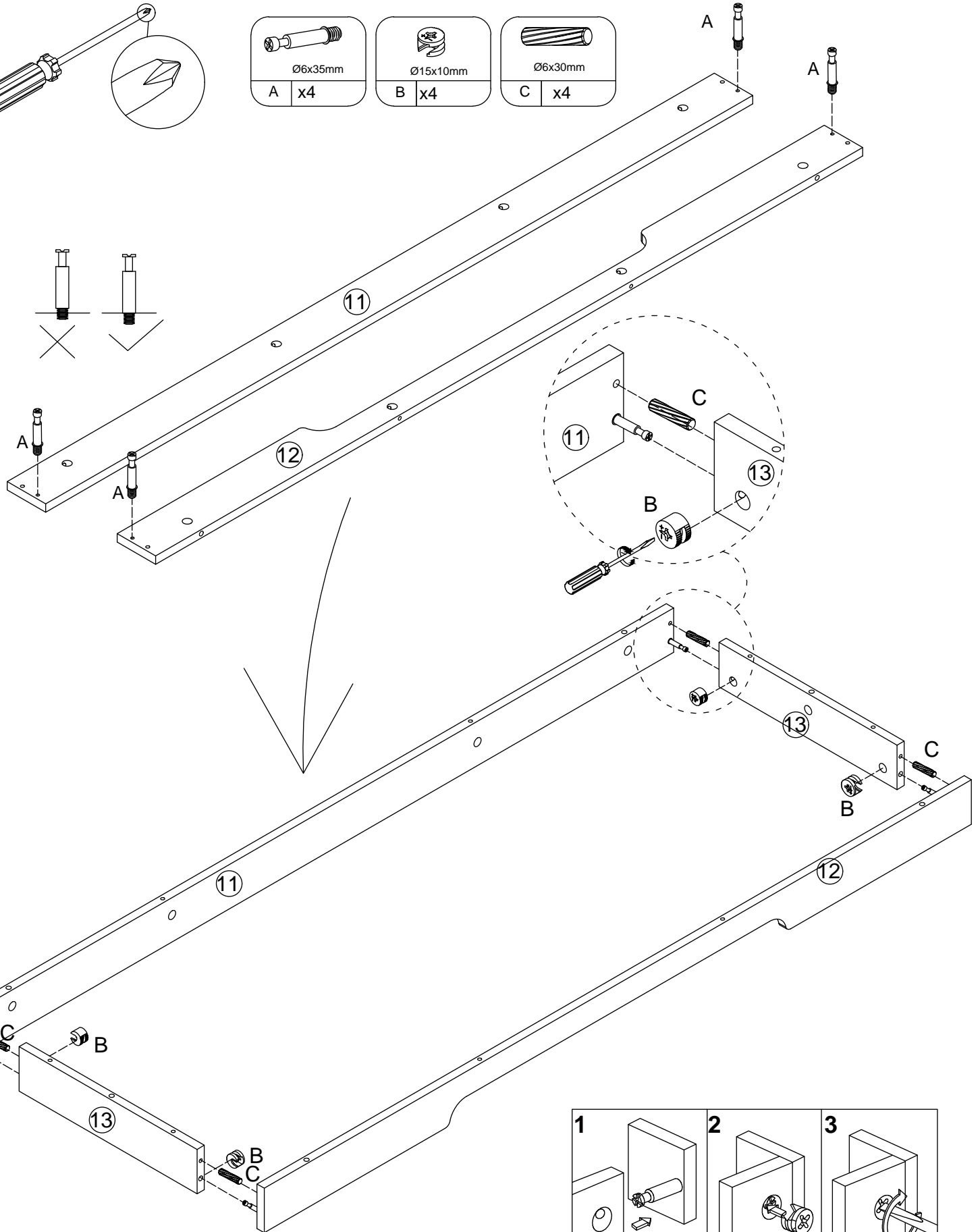
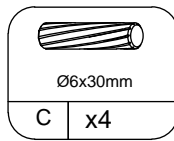
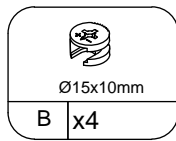
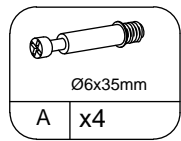
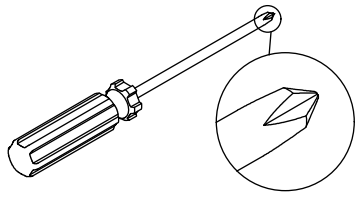
# STEP 10



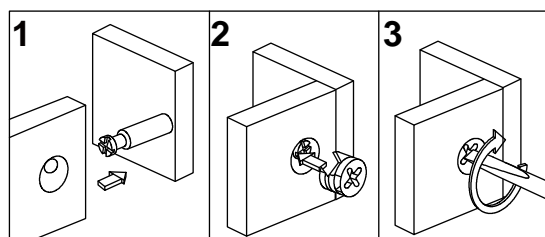
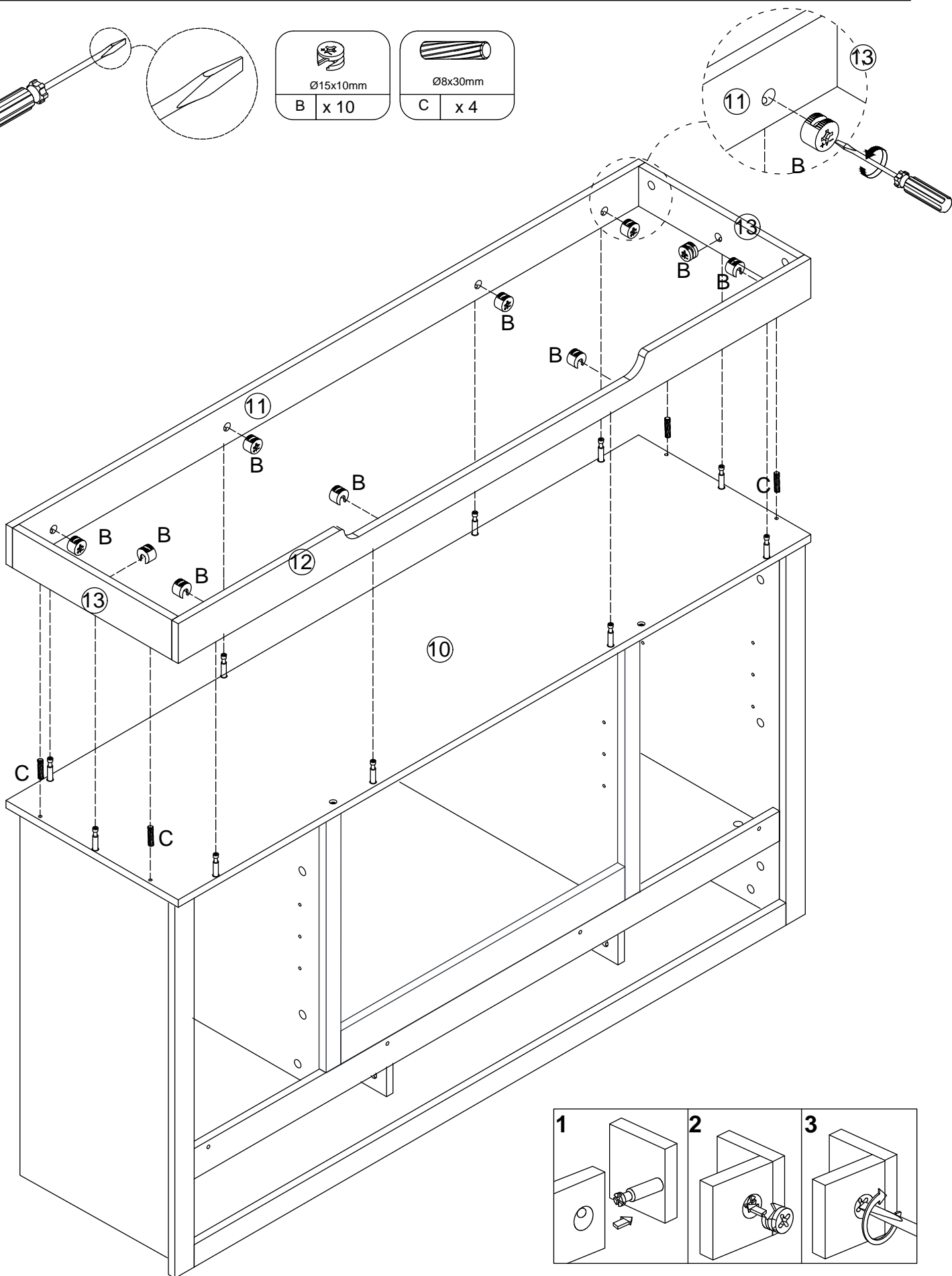
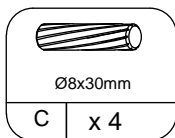
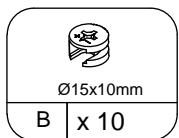
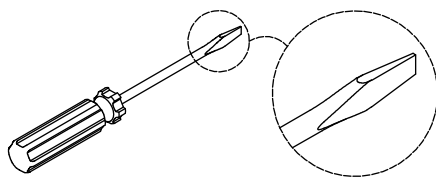
# STEP 11



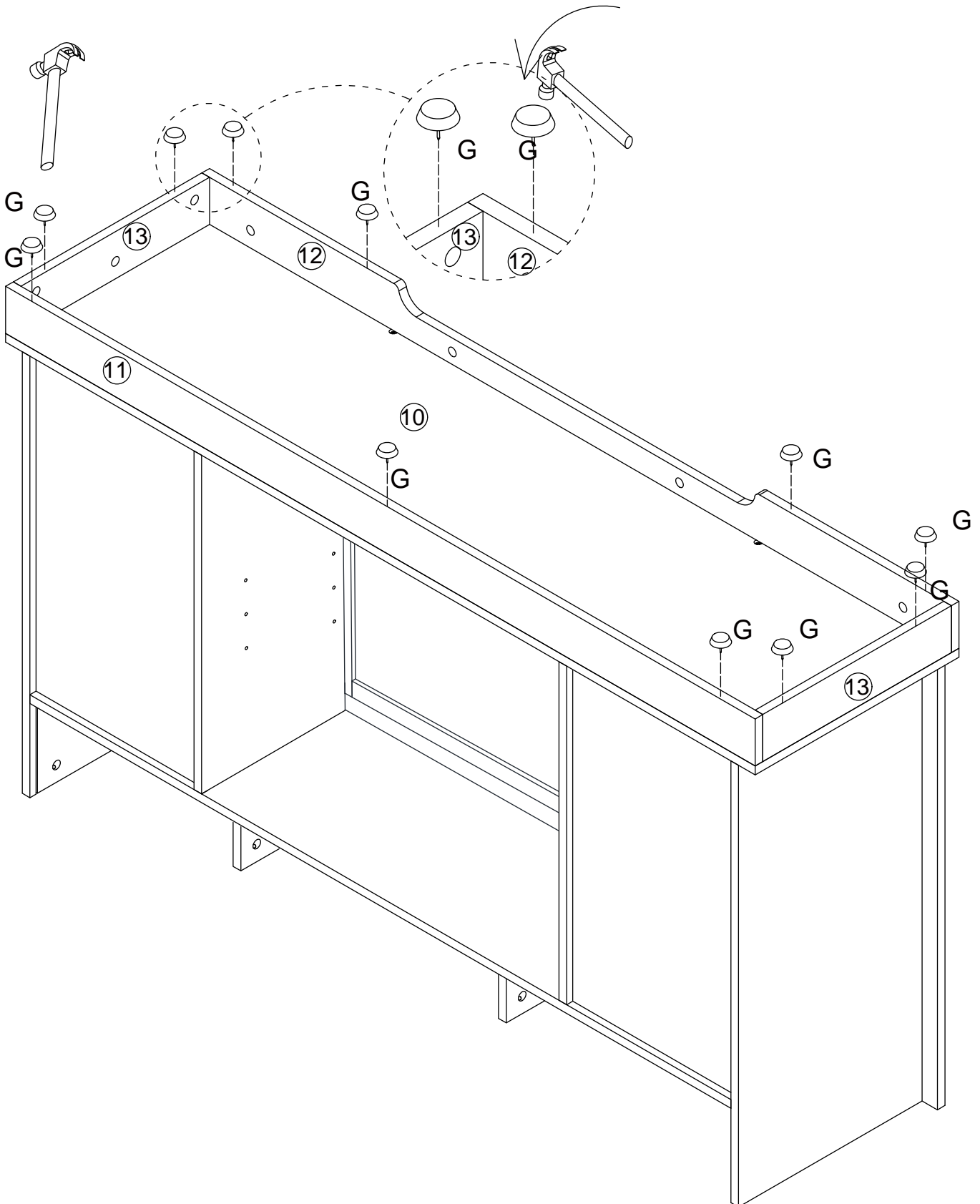
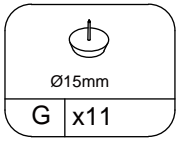
# STEP 12



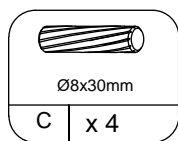
# STEP 13



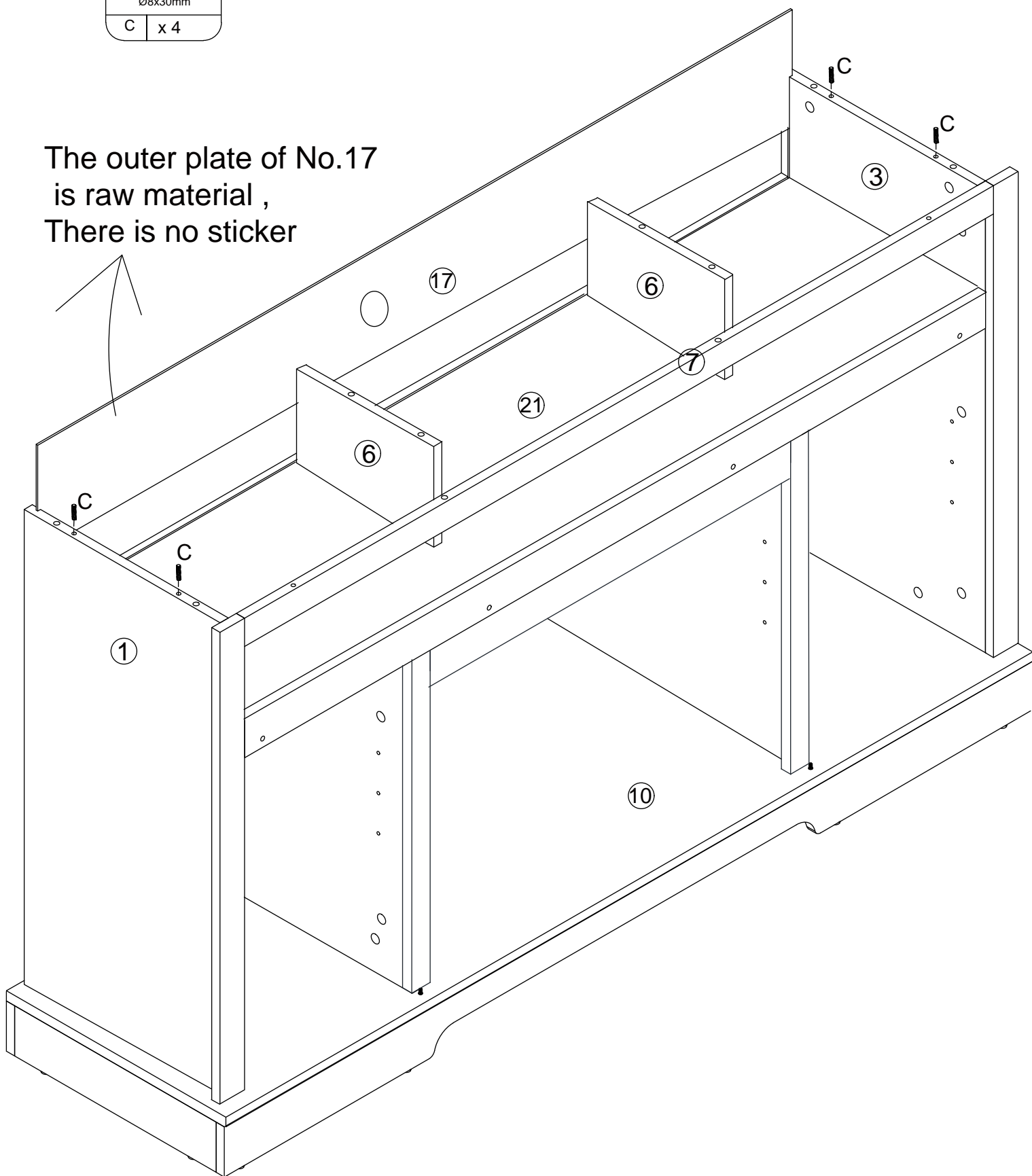
# STEP 14



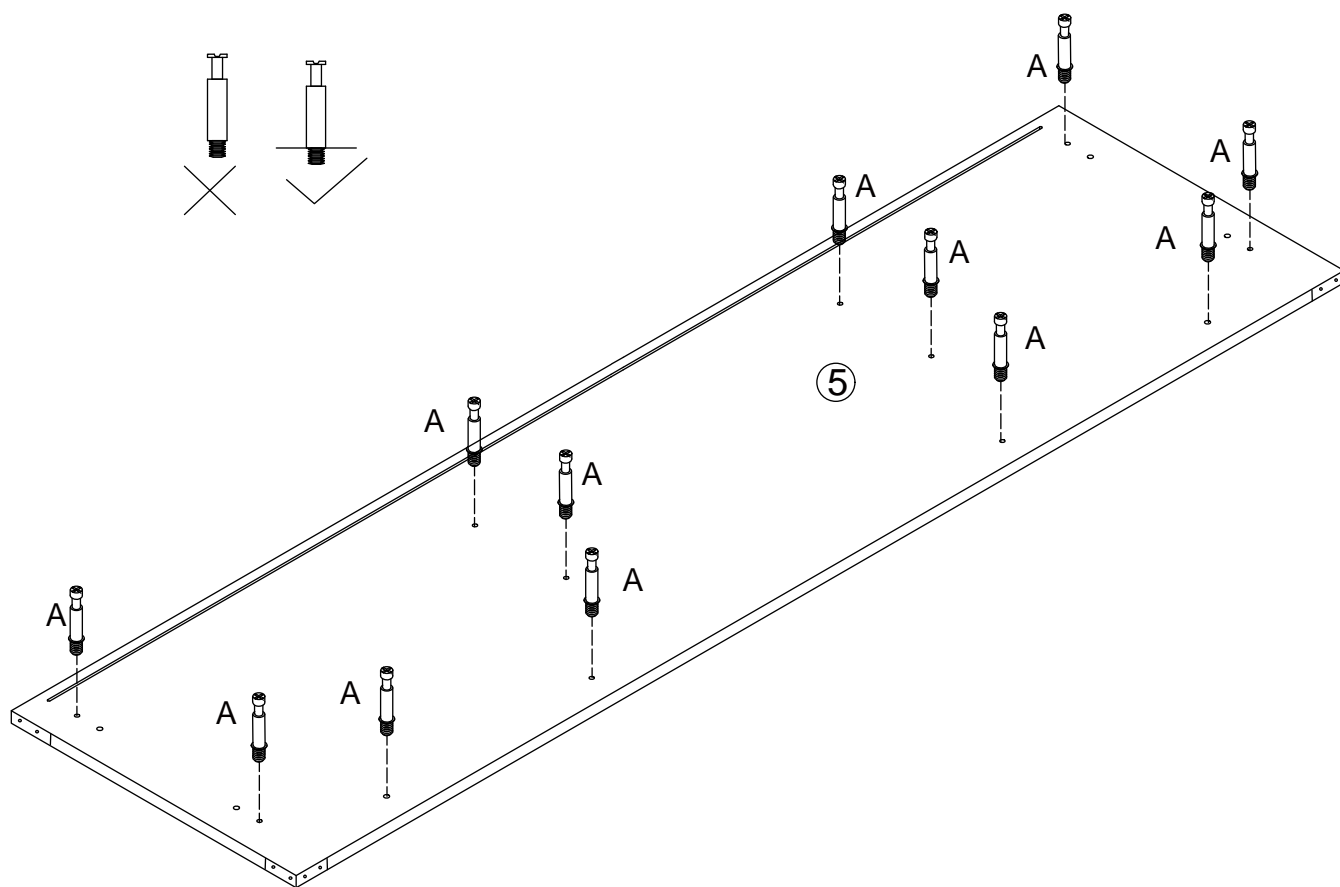
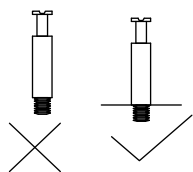
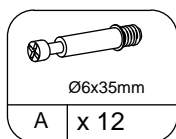
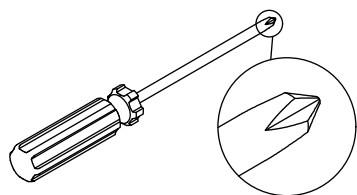
# STEP 15



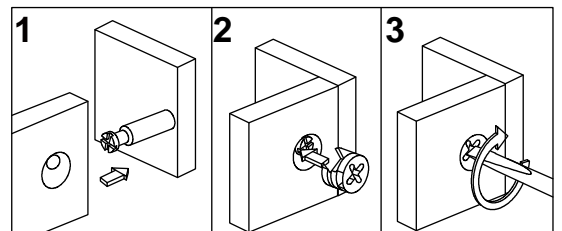
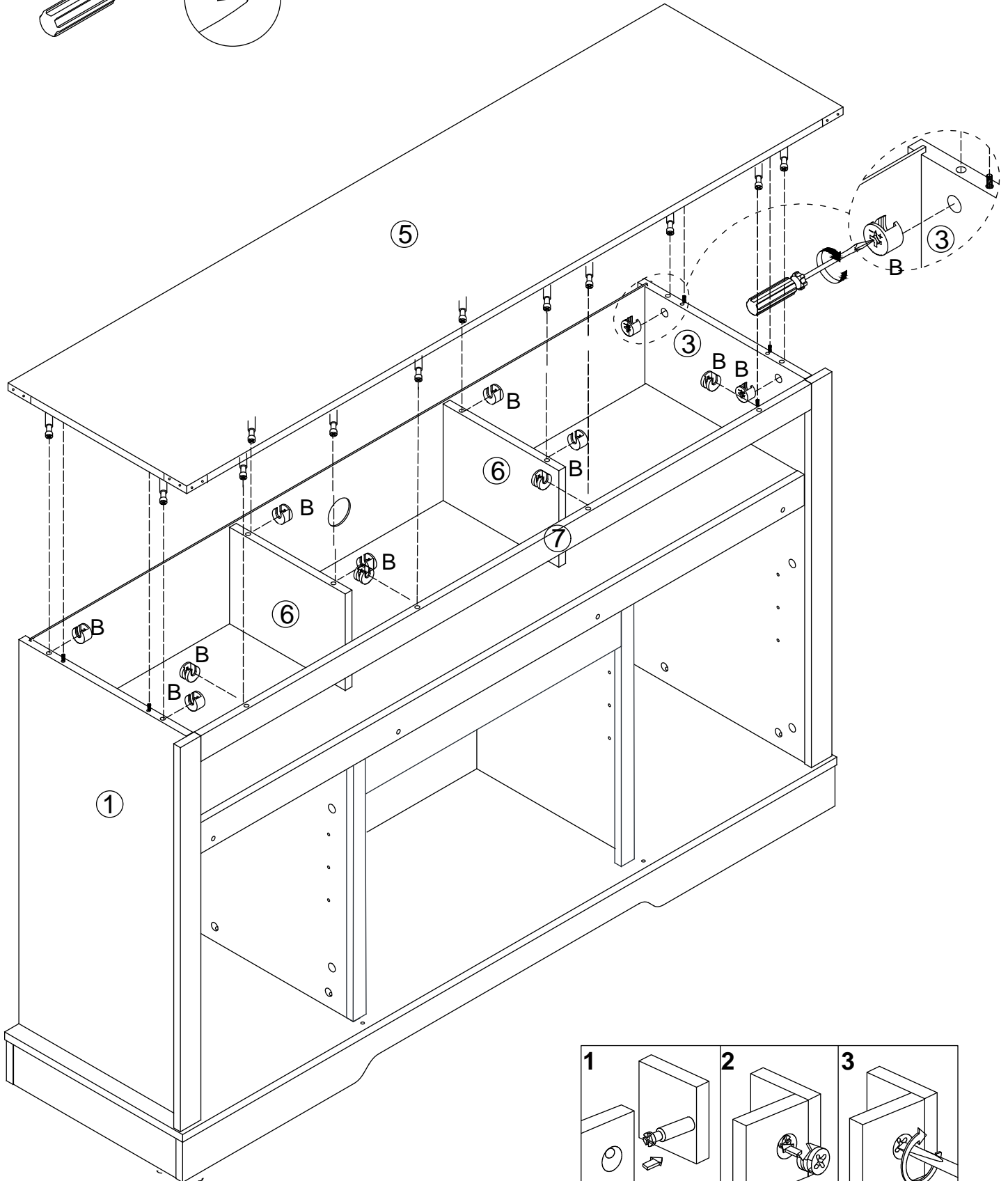
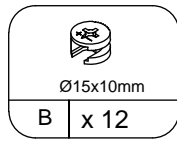
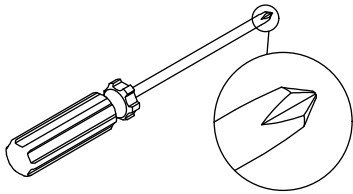
The outer plate of No.17  
is raw material ,  
There is no sticker



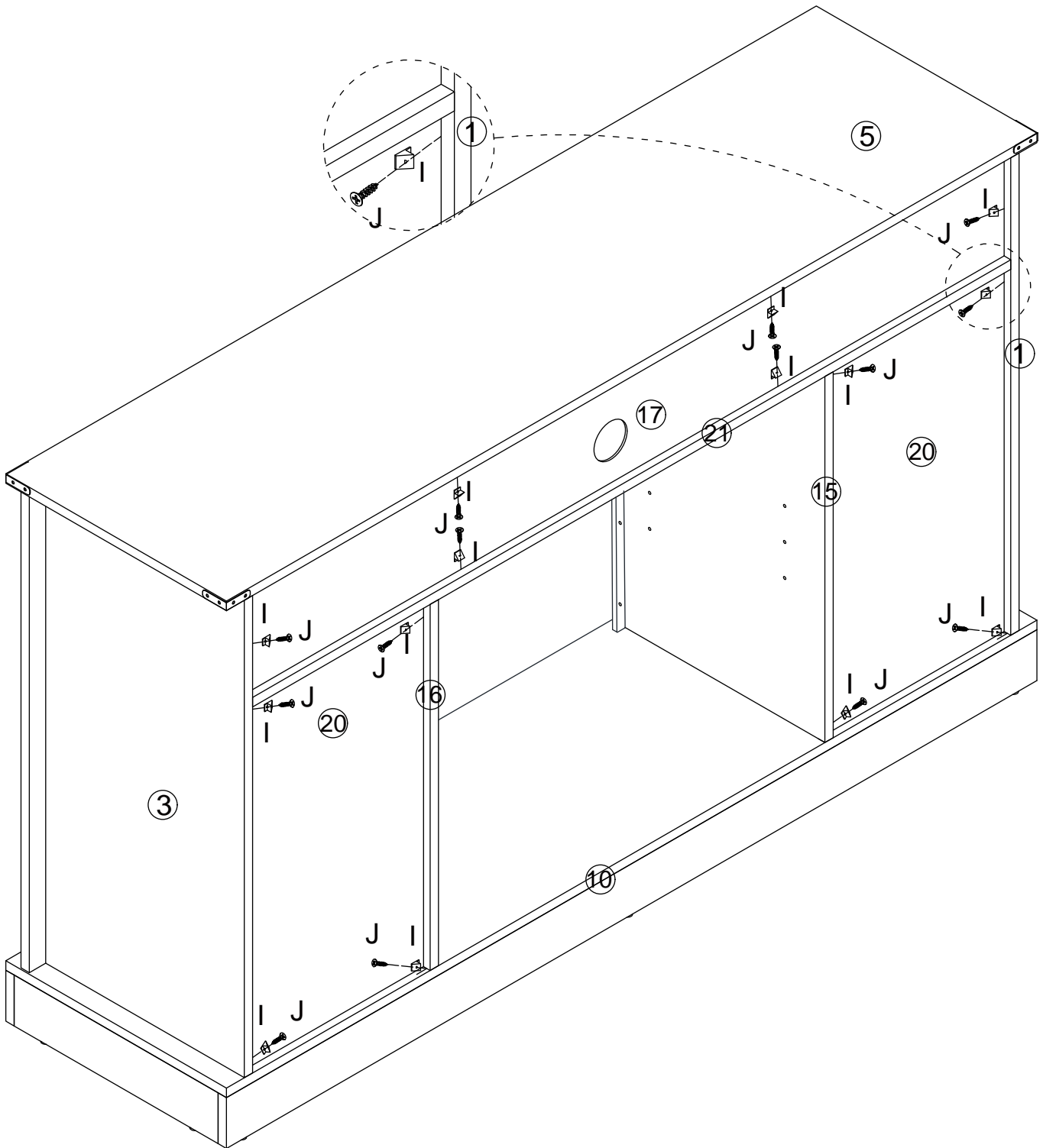
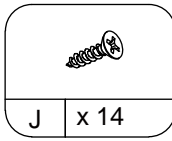
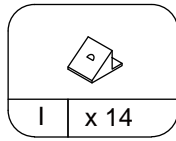
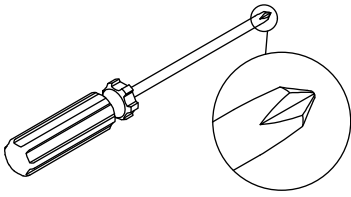
# STEP 16



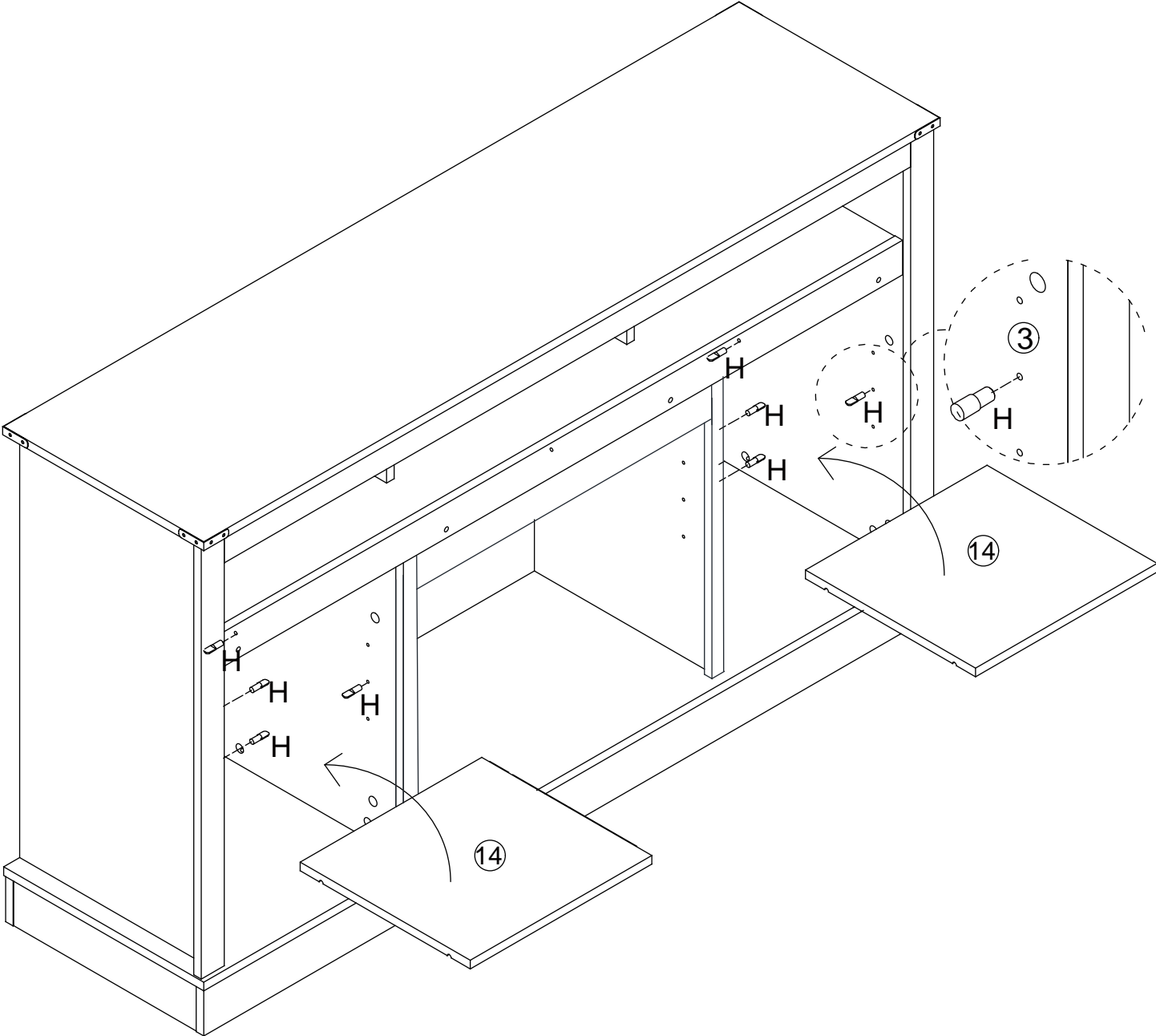
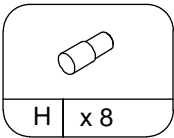
# STEP 17



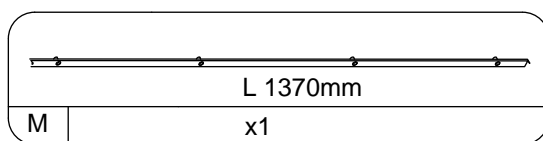
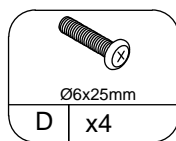
# STEP 18



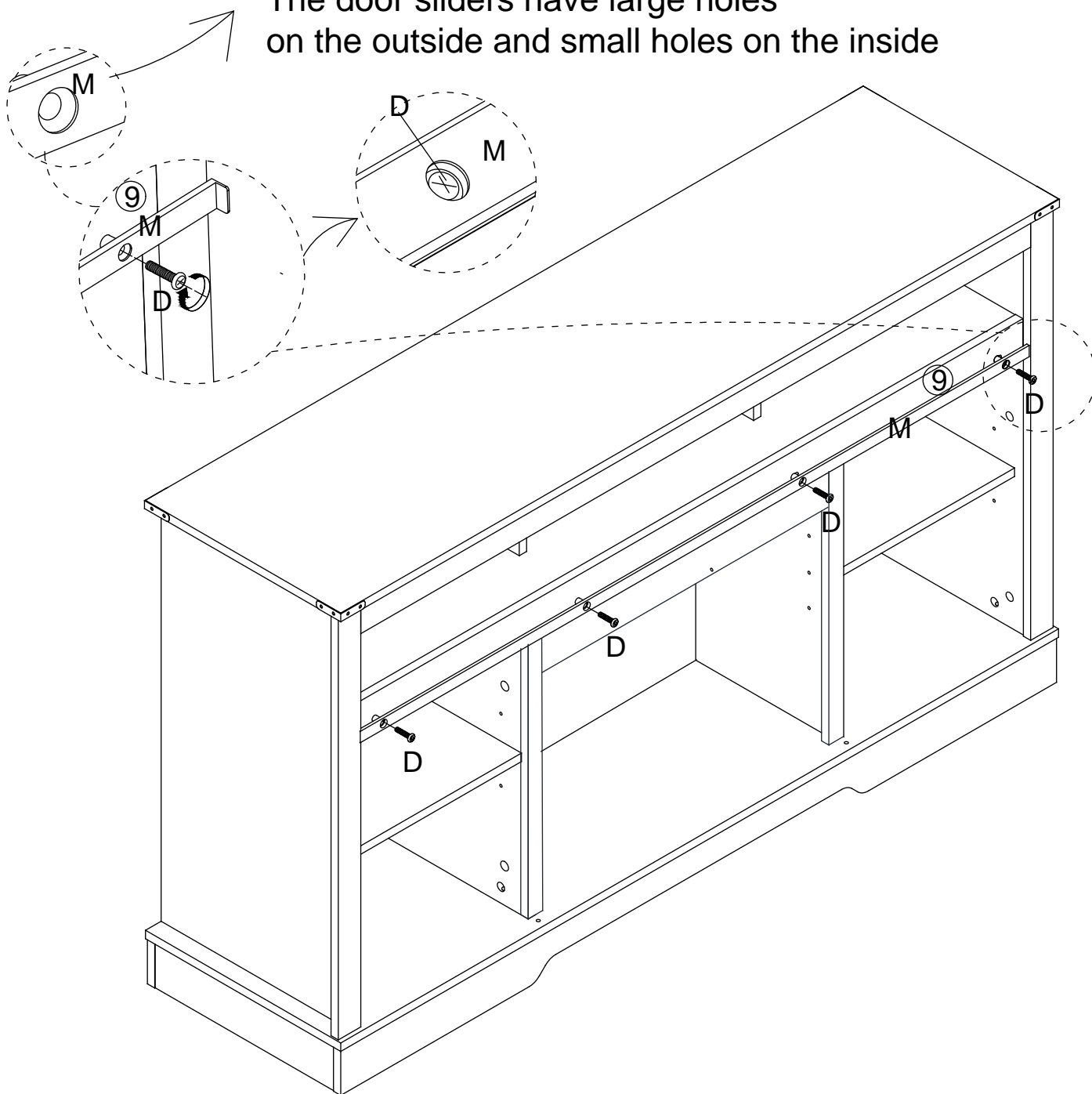
# STEP 19



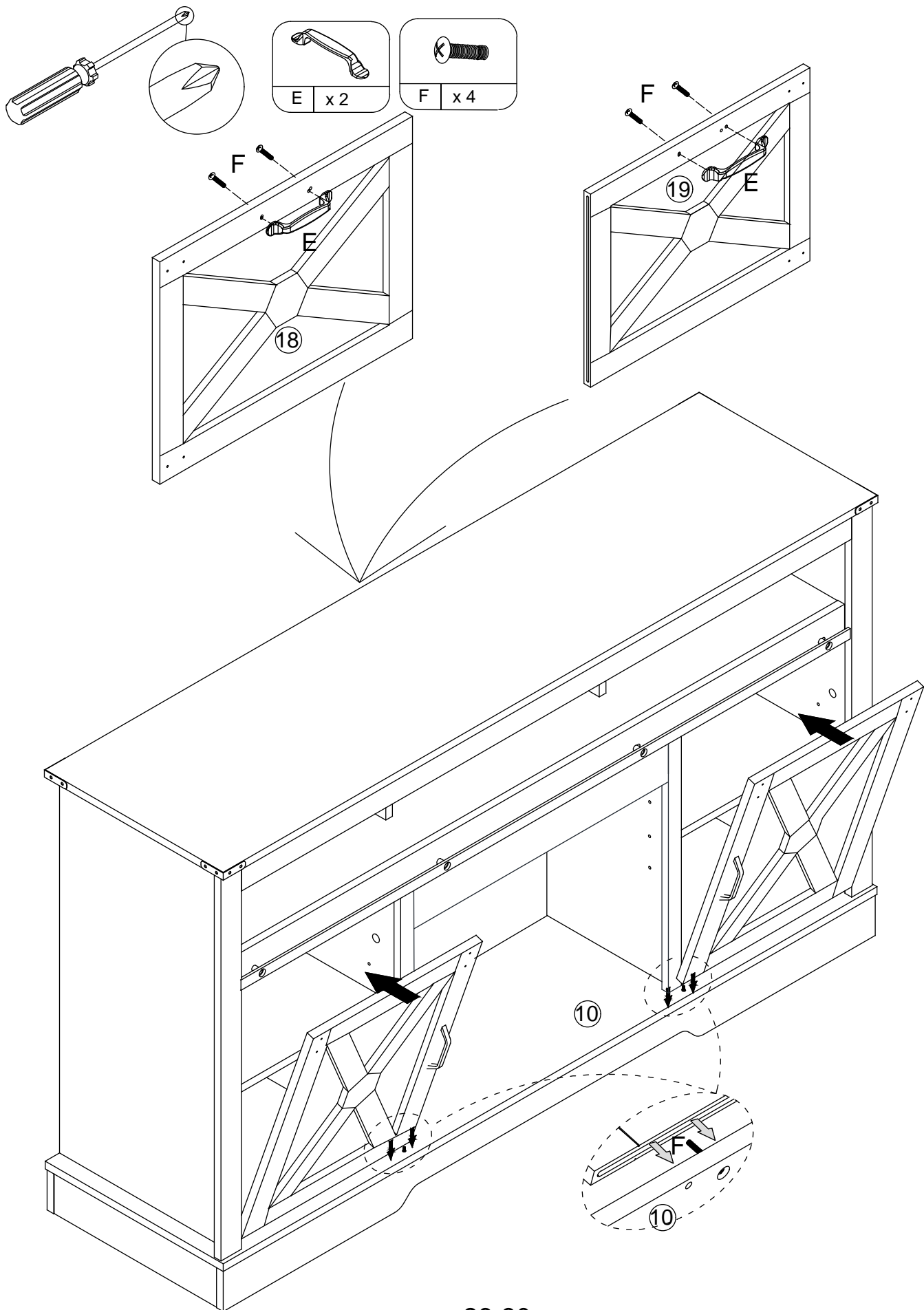
# STEP 20



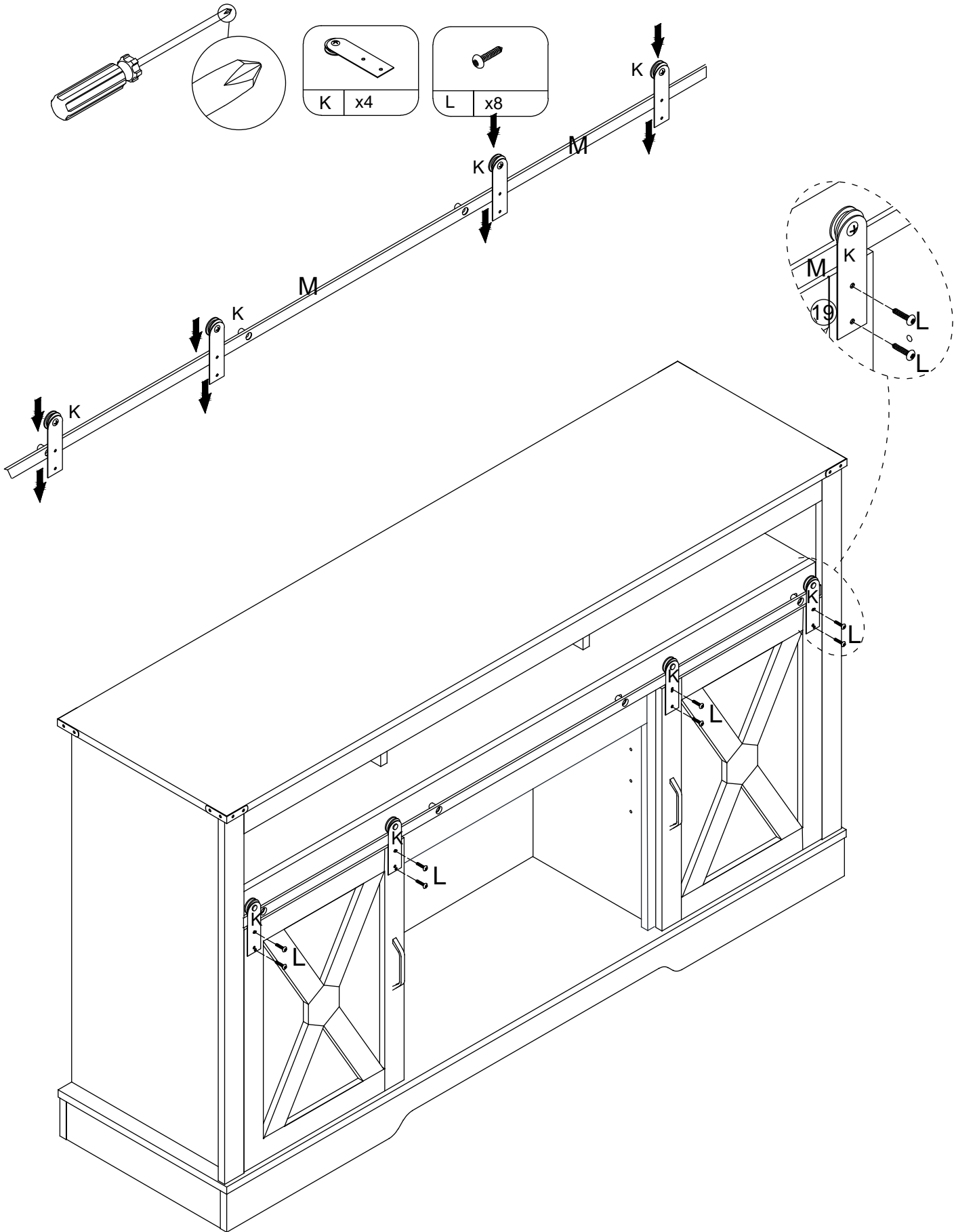
The door sliders have large holes on the outside and small holes on the inside



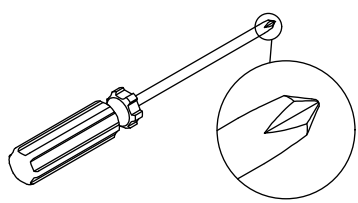
# STEP 21



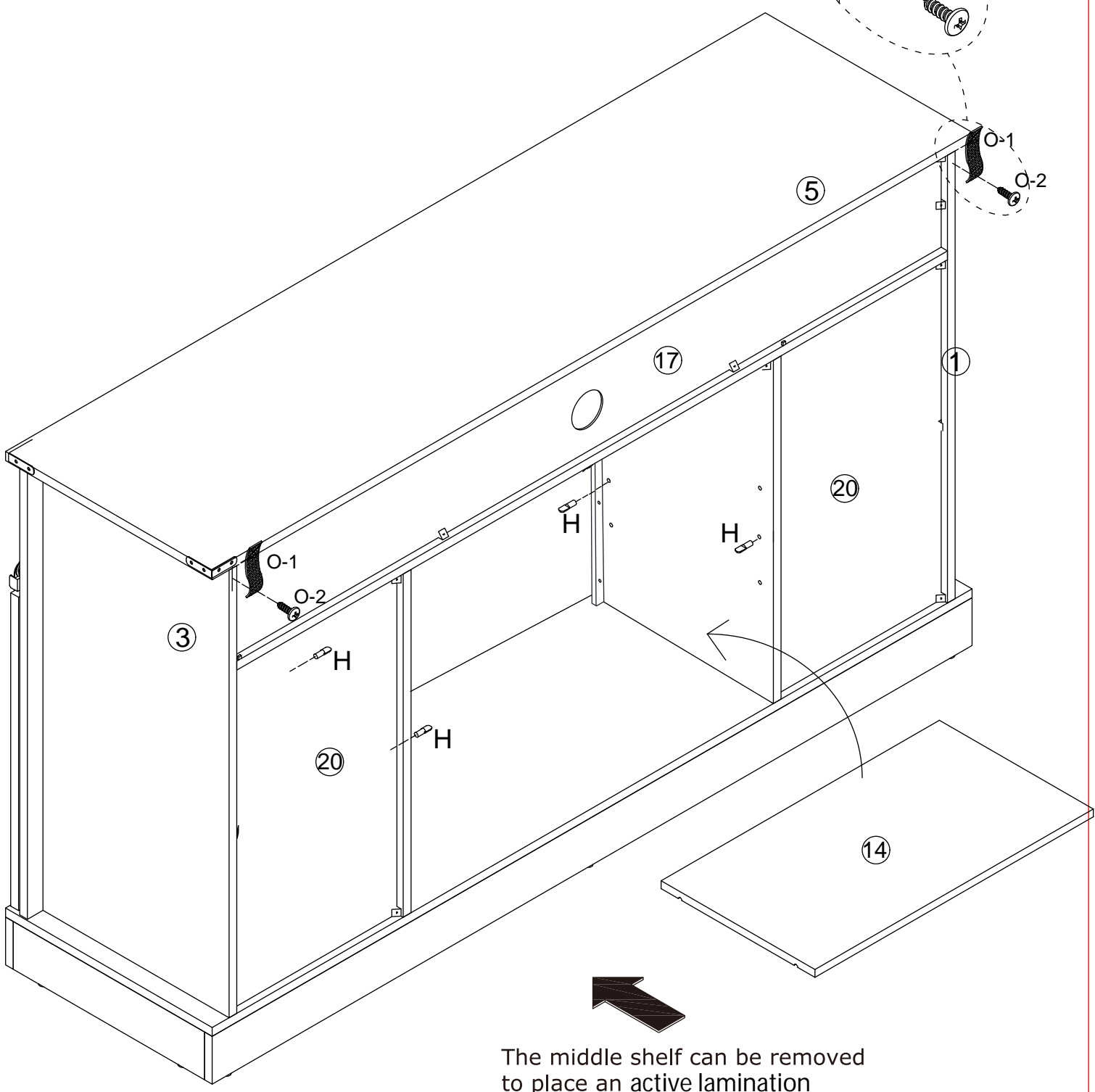
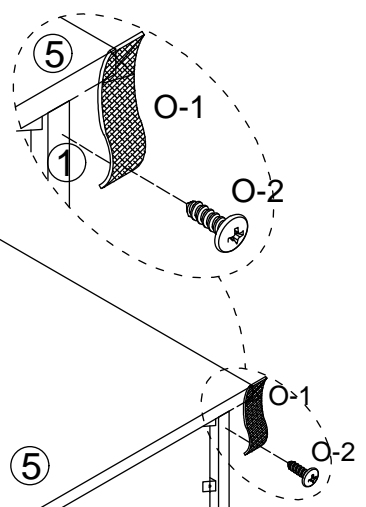
# STEP 22



# STEP 23

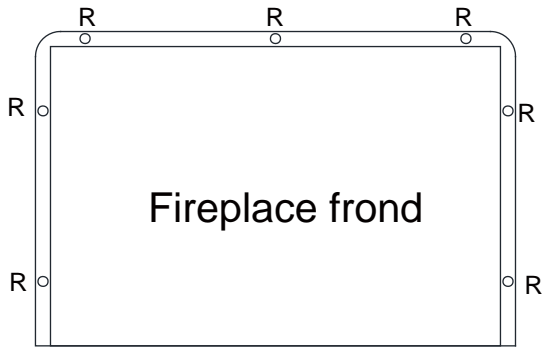
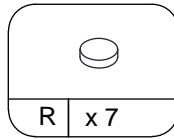
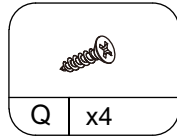
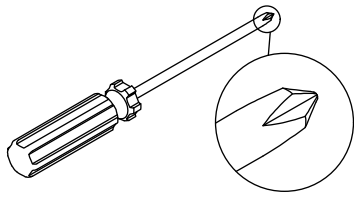


O-1	O-2
O	x2
H	x4

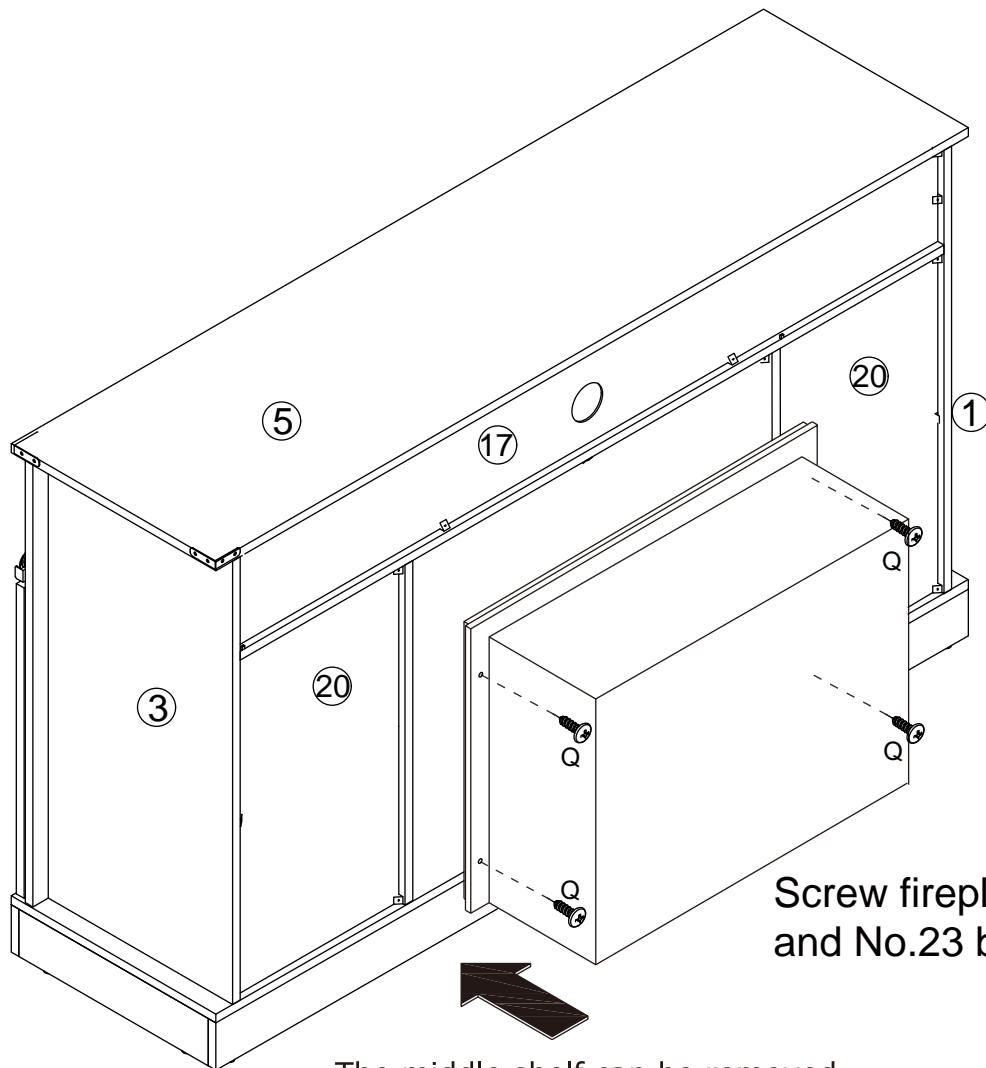


The middle shelf can be removed to place an active lamination

# STEP 24



Stick rubber granules on the front of fireplace before put it in.



Screw fireplace to No.22 and No.23 board

The middle shelf can be removed to place an fireplace.

# STEP 25

